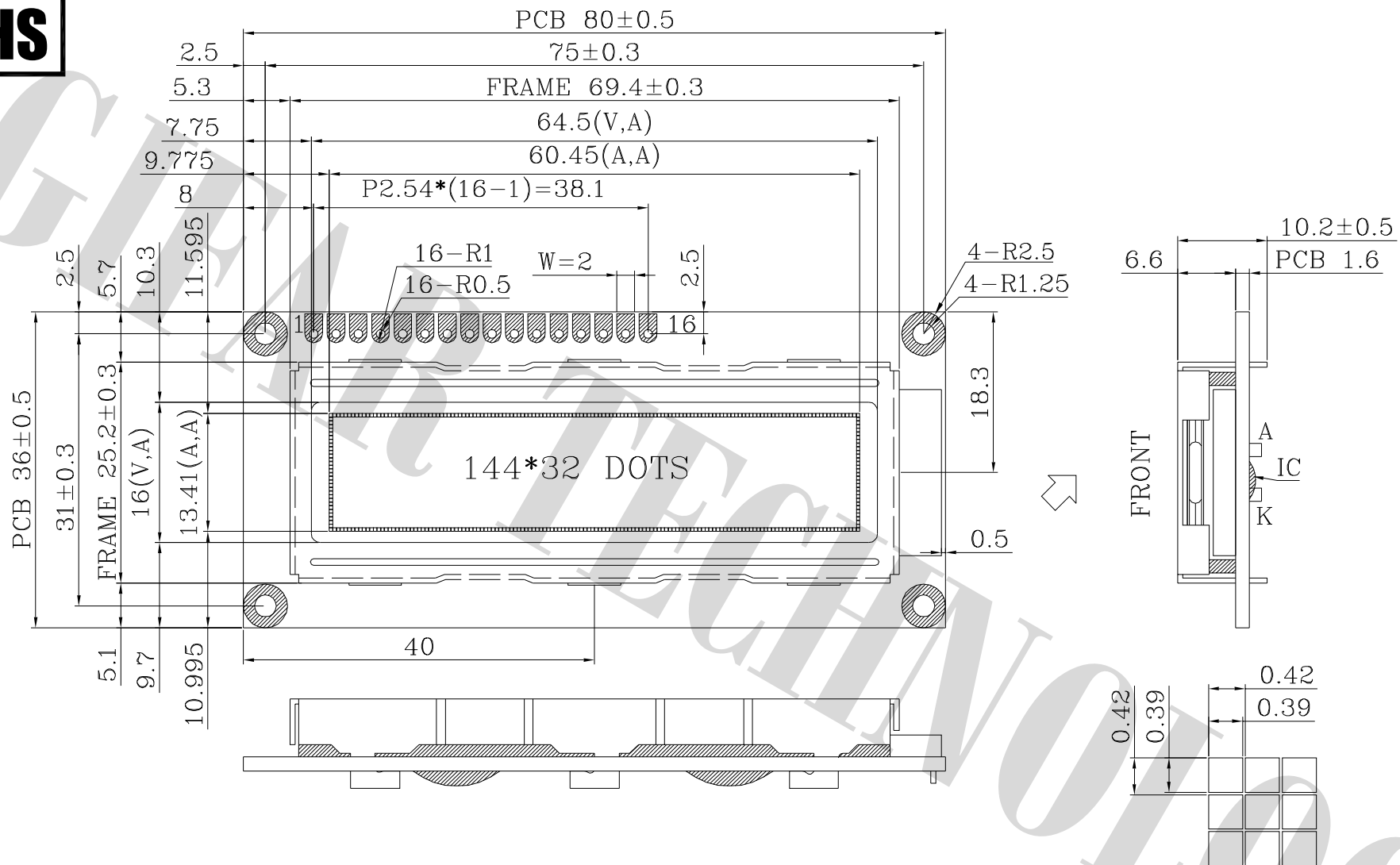


RoHS



PIN	NAME
1	VSS
2	VDD
3	VO
4	RS
5	R/W
6	E
7	DB0
8	DB1
9	DB2
10	DB3
11	DB4
12	DB5
13	DB6
14	DB7
15	A
16	K

DTOS SIZE

NOTES:

- DRIVE METHOD: 1/33DUTY, 1/6BIAS, VOP 4.2V,VDD5.0V.
- VIEWING ANGLE: 6 O'CLOCK.
- DISPLAY TYPE:STN(BLUE),TRANSMISSIVE/NEGATIVE.
- OPERATING TEMP: -20 TO 70°C.
- STORAGE TEMP: -30 TO 80°C.
- CONNECTION: ZEBRA.
- CONTROLLER IC: ST7920-0C ,ST7921.
- BACK LIGHT:WHITE,(EDGE 3.0V,30mA.)
- NOT DIMENSION TOLERANCES IS ±0.3.

日期	版本	修改内容	晶發科技股份有限公司 GI FAR TECHNOLOGY CO., LTD			
161027	00	使用GFE144032E-BNFFB05修改 IC為ST7920-0C-> 新型號GFE144032EA-BNFFB07	DATE	2016.10.27	REV	00
			UNIT : mm	Product :	GFE144032EA-BNFEB07	
			SCALE : 1/1	DRAWN :	Hazel	CHECKED : Donlin
			SHEET : 1/1			PAGE: 1/1