





SPECIFICATIONS

CUSTOMER : _____
MODEL NO. : GFT070JB800480-DL
VERSION : C
DATE : 2017.12.25
CERTIFICATION : ROHS
CUSTOMER SIGN : _____

QA Approved By	Approved By	Prepared By	Prepared By
			

晶發科技股份有限公司
GI FAR TECHNOLOGY CO., LTD.

新北市樹林區東豐街 81 號

No. 81, Dongfeng St, Shulin District, 23874, New Taipei City, Taiwan, R.O.C.

TEL: +886-2-8684-1188 FAX: +886-2-8684-8532



Contents

1. General Specifications.....	4
2. Pin Assignment	5
3. Operation Specifications.....	8
3.1. Absolute Maximum Ratings	8
3.1.1. Typical Operation Conditions.....	9
3.1.2. Current Consumption	10
3.1.3. Backlight Driving Conditions.....	10
3.2. Power Sequence	11
3.3. Timing Characteristics	13
3.3.1. AC Electrical Characteristics	13
3.3.2. Input Clock and Data Timing Diagram	13
3.3.3. Timing.....	14
3.3.4. Data Input Format	15
4. Optical Specifications.....	16
5. Reliability Test Items.....	20
6. General Precautions.....	21
6.1. Safety	21
6.2. Handling	21
6.3. Static Electricity	21
6.4. Storage	21
6.5. Cleaning	21
6.6. Quality warranty period	21
7. Package Drawing	22
7.1. Packaging Material Table	22
7.2. Packaging Quantity	22
7.3. Packaging Drawing	23
8. Mechanical Drawing.....	24



1. General Specifications

Item	Specification	Remark
LCD size	7.0 inch(Diagonal)	
Driver element	a-Si TFT active matrix	
Resolution	800 × 3(RGB) × 480	
Display mode	Normally White, Transmissive	
Dot pitch	0.0642(W) × 0.1790(H) mm	
Active area	154.08(W) × 85.92(H) mm	
Module size	164.9(W) × 100.0(H) × 5.7(D) mm	Note 1
Surface treatment	Anti-Glare	
Color arrangement	RGB-stripe	
Interface	Digital	
Backlight power consumption	1.674W (Typ.)	
Panel power consumption	0.226W (Typ.)	
Weight	150g (Typ.)	
Source-IC	NT39419BH	
Gate-IC	NT52001H	
Driving methods	1+2 dot	

Note 1: Refer to Mechanical Drawing.



2. Pin Assignment

FPC Connector is used for the module electronics interface. The recommended model is FH12A-50S-0.5SH manufactured by Hirose.

Pin No.	Symbol	I/O	Function	Remark
1	V _{LED+}	P	Power for LED backlight (Anode)	
2	V _{LED+}	P	Power for LED backlight (Anode)	
3	V _{LED-}	P	Power for LED backlight (Cathode)	
4	V _{LED-}	P	Power for LED backlight (Cathode)	
5	GND	P	Power ground	
6	V _{COM}	I	Common voltage	
7	DV _{DD}	P	Power for Digital Circuit	
8	MODE	I	DE/SYNC mode select	Note 1
9	DE	I	Data Input Enable	
10	VS	I	Vertical Sync Input	
11	HS	I	Horizontal Sync Input	
12	B7	I	Blue data(MSB)	
13	B6	I	Blue data	
14	B5	I	Blue data	
15	B4	I	Blue data	
16	B3	I	Blue data	
17	B2	I	Blue data	
18	B1	I	Blue data	Note 2
19	B0	I	Blue data(LSB)	Note 2
20	G7	I	Green data(MSB)	
21	G6	I	Green data	
22	G5	I	Green data	
23	G4	I	Green data	
24	G3	I	Green data	
25	G2	I	Green data	
26	G1	I	Green data	Note 2
27	G0	I	Green data(LSB)	Note2



28	R7	I	Red data(MSB)	
29	R6	I	Red data	
30	R5	I	Red data	
31	R4	I	Red data	
32	R3	I	Red data	
33	R2	I	Red data	
34	R1	I	Red data	Note2
35	R0	I	Red data(LSB)	Note2
36	GND	P	Power Ground	
37	DCLK	I	Sample clock	Note3
38	GND	P	Power Ground	
39	L/R	I	Left / right selection	Note4,5
40	U/D	I	Up/down selection	Note4,5
41	V _{GH}	P	Gate ON Voltage	
42	V _{GL}	P	Gate OFF Voltage	
43	AV _{DD}	P	Power for Analog Circuit	
44	RESET	I	Global reset pin.	Note6
45	NC	-	No connection	
46	V _{COM}	I	Common Voltage	
47	DITHB	I	Dithering function	Note7
48	GND	P	Power Ground	
49	NC	-	No connection	
50	NC	-	No connection	

I: input, O: output, P: Power

Note 1: DE/SYNC mode select. Normally pull high.

When select DE mode, MODE="1", VS and HS must pull high.

When select SYNC mode, MODE="0", DE must be grounded.

Note 2: When input 18 bits RGB data, the two low bits of R,G and B data must be grounded.

Note 3: Data shall be latched at the falling edge of DCLK.

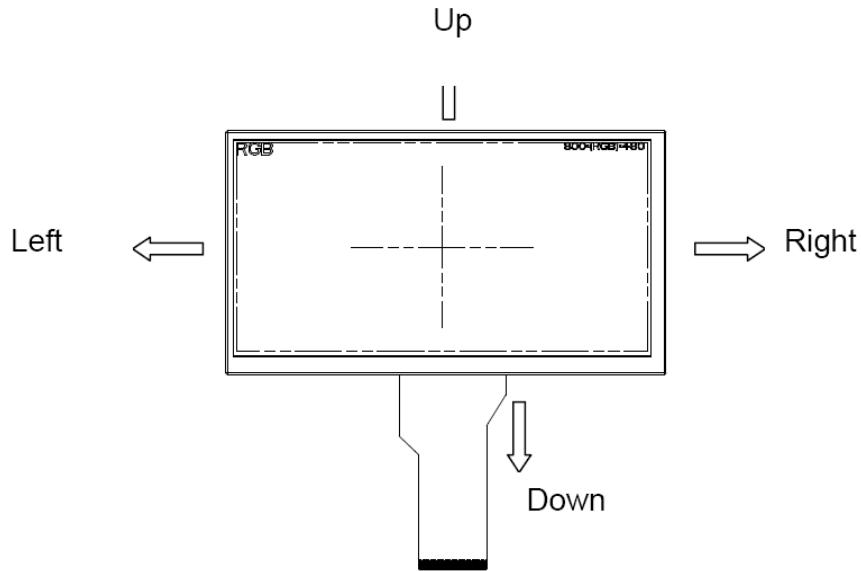
Note 4: Selection of scanning mode

Setting of scan control input		Scanning direction
U/D	L/R	
GND	DV _{DD}	Up to down, left to right
DV _{DD}	GND	Down to up, right to left
GND	GND	Up to down, right to left
DV _{DD}	DV _{DD}	Down to up, left to right



Note 5: Definition of scanning direction.

Refer to the figure as below:



Note 6: Global reset pin. Active low to enter reset state. Suggest to connect with an RC reset circuit for stability. Normally pull high.

Note 7: Dithering function enable control, normally pull high.

When DITHB="1", Disable internal dithering function,

When DITHB="0", Enable internal dithering function,



3. Operation Specifications

3.1. Absolute Maximum Ratings

(GND=AV_{SS}=0V, Note 1)

Item	Symbol	Values		Unit	Remark
		Min.	Max.		
Power voltage	DV _{DD}	-0.3	5.0	V	
	AV _{DD}	6.5	13.5	V	
	V _{GH}	-0.3	40.0	V	
	V _{GL}	-20.0	0.3	V	
	V _{GH} -V _{GL}	-	40.0	V	
Operation Temperature	T _{OP}	-20	70	°C	
Storage Temperature	T _{ST}	-30	80	°C	
LED Reverse Voltage	V _R	-	1.2	V	Each LED Note
LED Forward Current	I _F	-	25	mA	Each LED

Note 1: The absolute maximum rating values of this product are not allowed to be exceeded at any times. Should a module be used with any of the absolute maximum ratings exceeded, the characteristics of the module may not be recovered, or in an extreme case, the module may be permanently destroyed.

Note 2: V_R Conditions: Zener Diode 20mA



3.1.1. Typical Operation Conditions

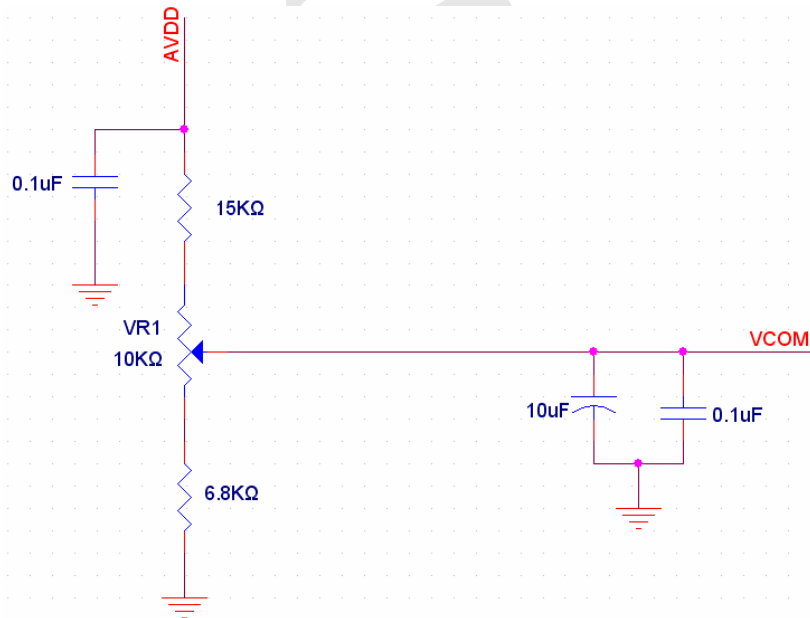
Item	Symbol	Values			Unit	Remark
		Min.	Typ.	Max.		
Power voltage	DV _{DD}	3.0	3.3	3.6	V	Note2
	AV _{DD}	10.2	10.4	10.6	V	
	V _{GH}	15.3	16	16.7	V	
	V _{GL}	-7.7	-7.0	-6.3	V	
Input signal voltage	V _{COM}	2.6	(3.6)	4.6	V	Note4
Input logic high voltage	V _{IH}	0.7DV _{DD}	0.9 DV _{DD}	DV _{DD}	V	Note3
Input logic low voltage	V _{IL}	0	0.1 DV _{DD}	0.3DV _{DD}	V	

Note 1: Be sure to apply DV_{DD} and V_{GL} to the LCD first, and then apply V_{GH}.

Note 2: DV_{DD} setting should match the signals output voltage (refer to Note 3) of customer's system board.

Note 3: DCLK,HS,VS,RESET,U/D, L/R,DE,R0~R7,G0~G7,B0~B7,MODE,DITHB.

Note 4: Typical V_{COM} is only a reference value. It must be optimized according to each LCM. Please use VR and base on below application circuit.





3.1.2. Current Consumption

Item	Symbol	Values			Unit	Remark
		Min.	Typ.	Max.		
Current for Driver	I _{GH}	0.05	0.2	1.0	mA	V _{GH} =16.0V
	I _{GL}	0.05	0.2	1.0	mA	V _{GL} =-7.0V
	IDV _{DD}	1	4.0	10	mA	DV _{DD} =3.3V
	I _{AV} _{DD}	5	20	50	mA	AV _{DD} =10.4V

3.1.3. Backlight Driving Conditions

Item	Symbol	Values			Unit	Remark
		Min.	Typ.	Max.		
Voltage for LED backlight	V _L	8.7	9.3	9.9	V	Note1
Current for LED backlight	I _L	170	180	200	mA	
LED life time	-	20,000	-	-	Hr	Note2

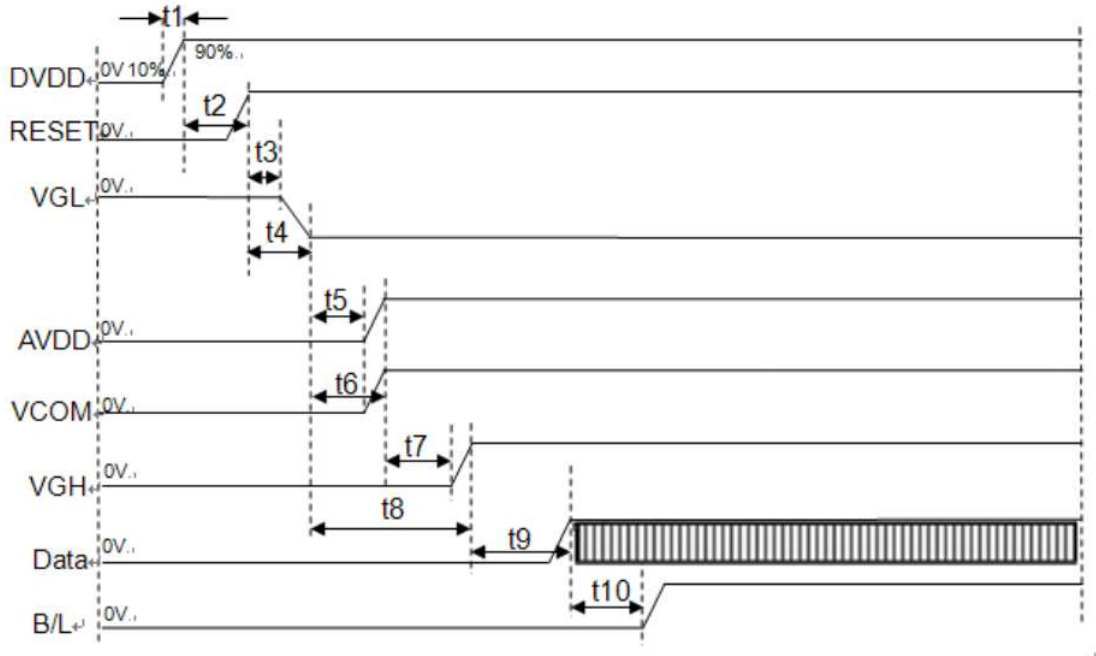
Note 1: The LED Supply Voltage is defined by the number of LED at Ta=25°C and I_L =180mA.

Note 2: The "LED life time" is defined as the module brightness decrease to 50% original brightness at Ta=25°C and I_L =180mA. The LED lifetime could be decreased if operating I_L is larger than 180mA.



3.2. Power Sequence

a. Power on:



DV_{DD} → RESET → VGL → AVDD → VGH → Data → B/L

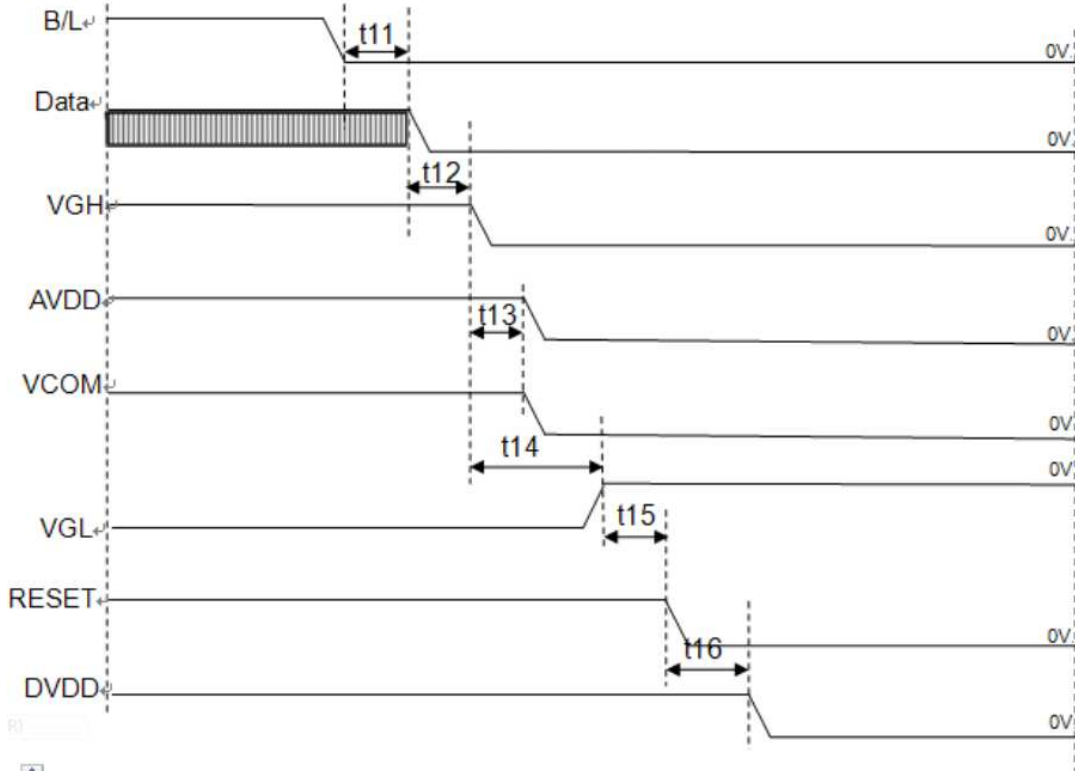
Symbol	SPEC			Unit
	Min.	Typ.	Max.	
t1	0.5	5	20	ms
t2	1	1	1.5	ms
t3	10	15	20	ms
t4	20	22	24	ms
t5	1	2	3	ms
t6	5	6	7	ms
t7	1.5	2	4	ms
t8	10	12	15	ms
t9	10	15	20	ms
t10	180	190	200	ms

Note: Data include R0~R7, B0~B7, GO~G7, U/D, L/R, DCLK, HS, VS, DE.

Note: Be sure to apply DV_{DD} and V_{GL} to the LCD first, and then apply V_{GH}.



b. Power off:



B/L→Data→VGH→AVDD→VGL→RESET→DV_{DD}

Symbol	SPEC			Unit
	Min.	Typ.	Max.	
t11	180	190	200	ms
t12	10	15	20	ms
t13	5	6	7	ms
t14	10	12	15	ms
t15	20	22	24	ms
t16	1	1.5	3	ms

Note: Data include R0~R7, B0~B7, GO~G7, U/D, L/R, DCLK, HS,VS,DE.

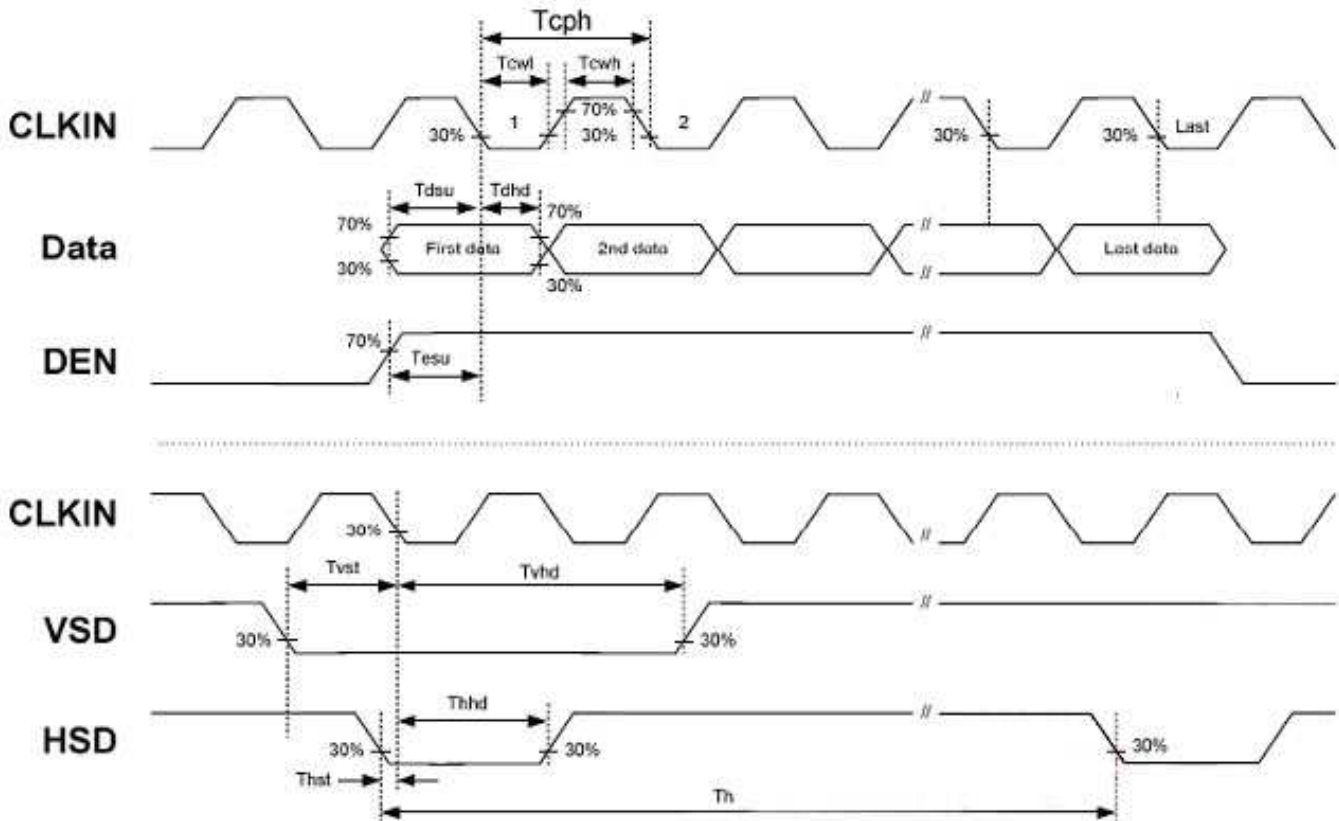


3.3. Timing Characteristics

3.3.1. AC Electrical Characteristics

Item	Symbol	Values			Unit	Remark
		Min.	Typ.	Max.		
HS setup time	Thst	8	10	20	ns	
HS hold time	Thhd	8	60	800	ns	
VS setup time	Tvst	8	10	20	ns	
VS hold time	Tvhd	8	87000	580000	ns	
Data setup time	Tdsu	8	10	20	ns	
Data hole time	Tdhd	8	10	20	ns	
DE setup time	Tesu	8	10	20	ns	
DE hole time	Tehd	8	24000	26400	ns	
DV _{DD} Power On Slew rate	TPOR	0.5	5	20	ms	From 0 to 90% DV _{DD}
RESET pulse width	TRst	1	2	5	ms	
DCLK cycle time	Tcoh	20	30	33	ns	
DCLK pulse duty	Tcwh	40	50	60	%	

3.3.2. Input Clock and Data Timing Diagram





3.3.3. Timing

Item	Symbol	Values			Unit	Remark
		Min.	Typ.	Max.		
Horizontal Display Area	thd	800			DCLK	
DCLK Frequency	fclk	26.4	33.3	46.8	MHz	
One Horizontal Line	th	862	1056	1200	DCLK	
HS pulse width	thpw	1	6	40	DCLK	Note1
HS Blanking	thb	46	46	46	DCLK	Note1
HS Front Porch	thfp	16	210	354	DCLK	

Item	Symbol	Values			Unit	Remark
		Min.	Typ.	Max.		
Vertical Display Area	tvd	480			TH	
VS period time	tv	510	525	650	TH	
VS pulse width	tvpw	1	3	20	TH	Note2
VS pulse width	tvb	23	23	23	TH	Note2
VS pulse width	tvfp	7	22	147	TH	

Note1: HS Blanking has included HS pulse width

Note2: VS Blanking has included VS pulse width

Note: Frame rate 60±5Hz



3.3.4. Data Input Format



Figure 3. 1 Horizontal input timing diagram.

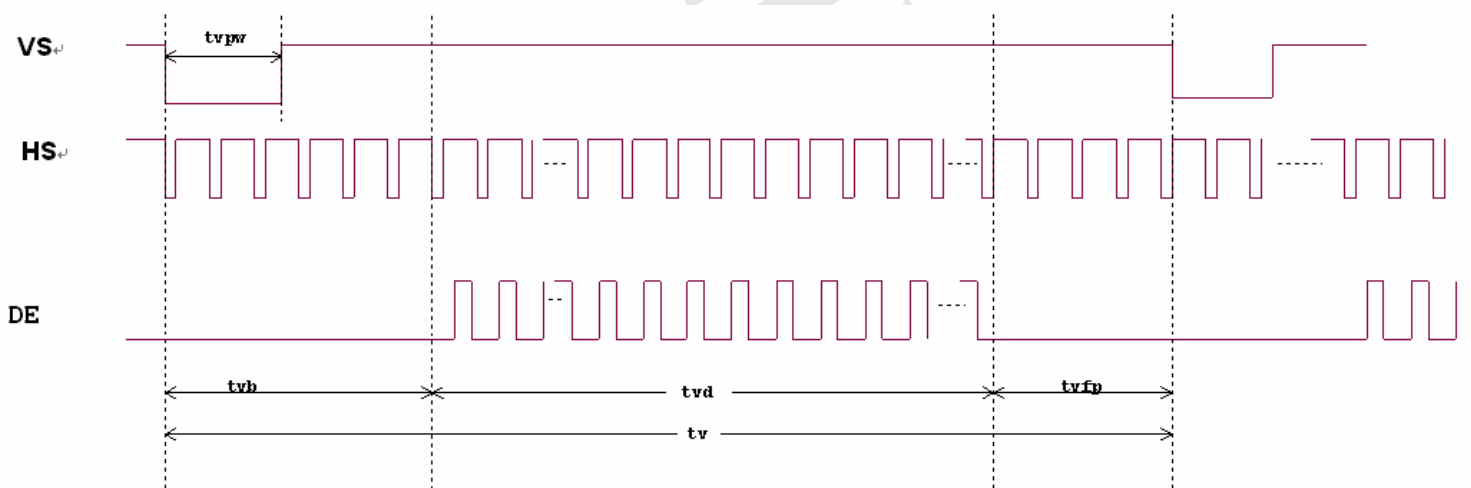


Figure 3. 2 Vertical input timing diagram.



4. Optical Specifications

Item	Symbol	Condition	Values			Unit	Remark
			Min.	Typ.	Max.		
Viewing angle (CR≥ 10)	θ_L	$\Phi=180^\circ$ (9 o'clock)	60	70	-	degree	Note1
	θ_R	$\Phi=0^\circ$ (3 o'clock)	60	70	-		
	θ_T	$\Phi=90^\circ$ (12 o'clock)	40	50	-		
	θ_B	$\Phi=270^\circ$ (6 o'clock)	60	70	-		
Response time	T_{ON}	Normal $\theta=\Phi=0^\circ$	-	10	20	msec	Note3
	T_{OFF}		-	15	30	msec	Note3
Contrast ratio	CR		400	500	-	-	Note4
Color chromaticity	W_x		0.26	0.31	0.36	-	Note2
	W_y	0.28	0.33	0.38	-	Note5	
Luminance	L	200	250	-	cd/m ²	Note6	
Luminance uniformity	Y_U	70	75	-	%	Note7	

Test Conditions:

1. $DV_{DD}=3.3V$, $I_L=180mA$ (Backlight current), the ambient temperature is $25^\circ C$.
2. The test systems refer to Note 2.



Note 1: Definition of viewing angle range

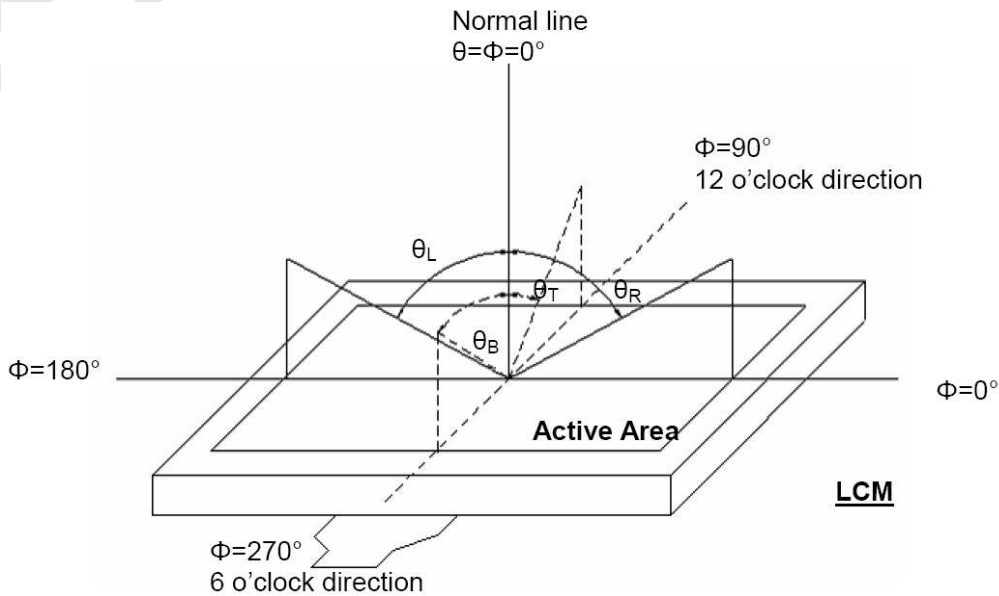


Fig. 4-1 Definition of viewing angle

Note 2: Definition of optical measurement system.

The optical characteristics should be measured in dark room. After 30 minutes operation, the optical properties are measured at the center point of the LCD screen. (Response time is measured by Photo detector TOPCON BM-7, other items are measured by BM-5A/Field of view: 1° /Height: 500mm.)

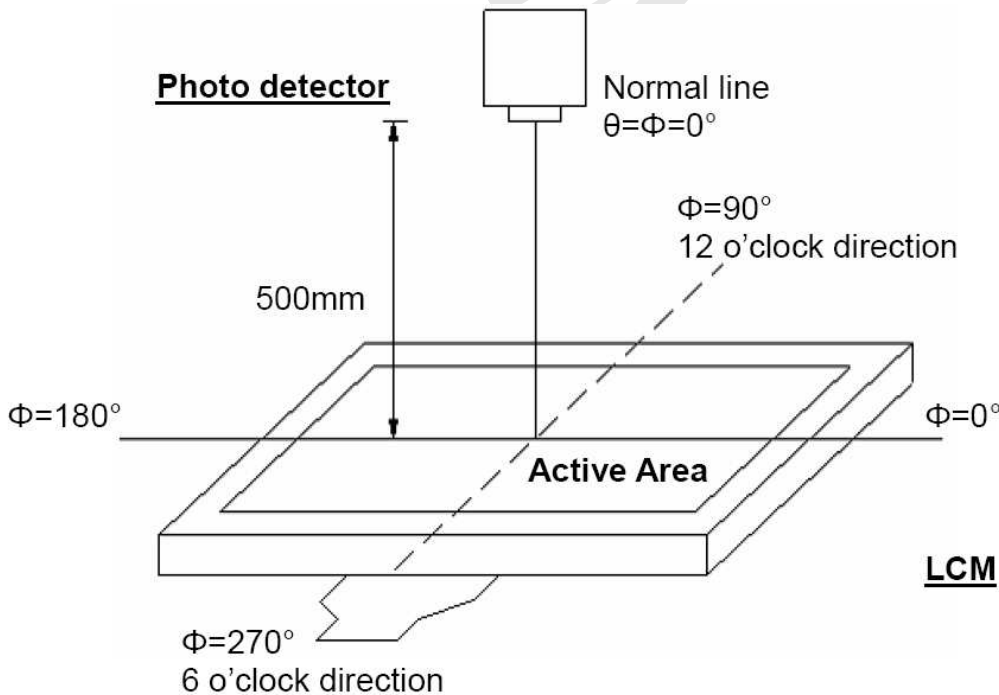


Fig. 4-2 Optical measurement system setup



Note 3: Definition of Response time

The response time is defined as the LCD optical switching time interval between “White” state and Black” state. Rise time (T_{ON}) is the time between photo detector output intensity changed from 90% to 10%. And fall time (T_{OFF}) is the time between photo detector output intensity changed from 10% to 90%.

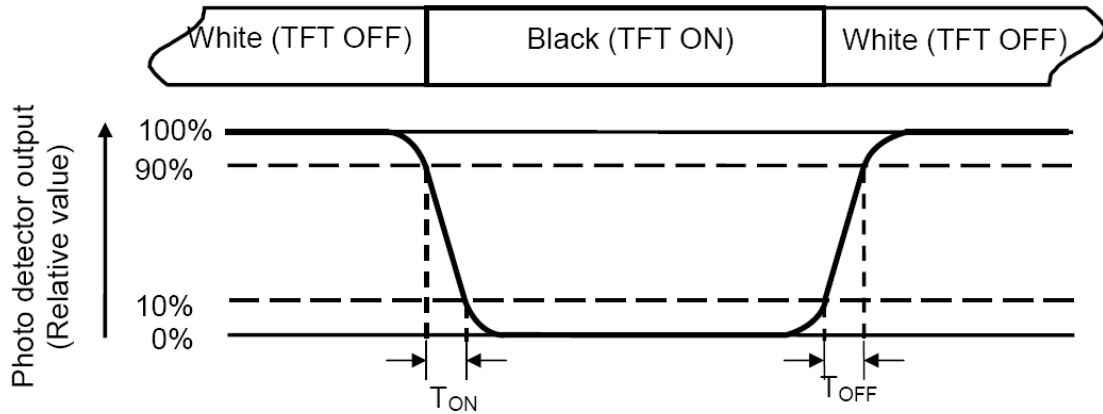


Fig. 4-3 Definition of response time

Note 4: Definition of contrast ratio

$$\text{Contrast ratio (CR)} = \frac{\text{Luminance measured when LCD on the "White" state}}{\text{Luminance measured when LCD on the "Black" state}}$$

Note 5: Definition of color chromaticity (CIE1931)

Color coordinates measured at center point of LCD.

Note 6: All input terminals LCD panel must be ground while measuring the center area of the panel. The LED driving condition is $I_L=180\text{mA}$.



Note 7: Definition of Luminance Uniformity

Active area is divided into 9 measuring areas (Refer to Fig. 4-4).Every measuring point is placed at the center of each measuring area.

$$\text{Luminance Uniformity } (Yu) = \frac{B_{min}}{B_{max}}$$

L-----Active area length W----- Active area width

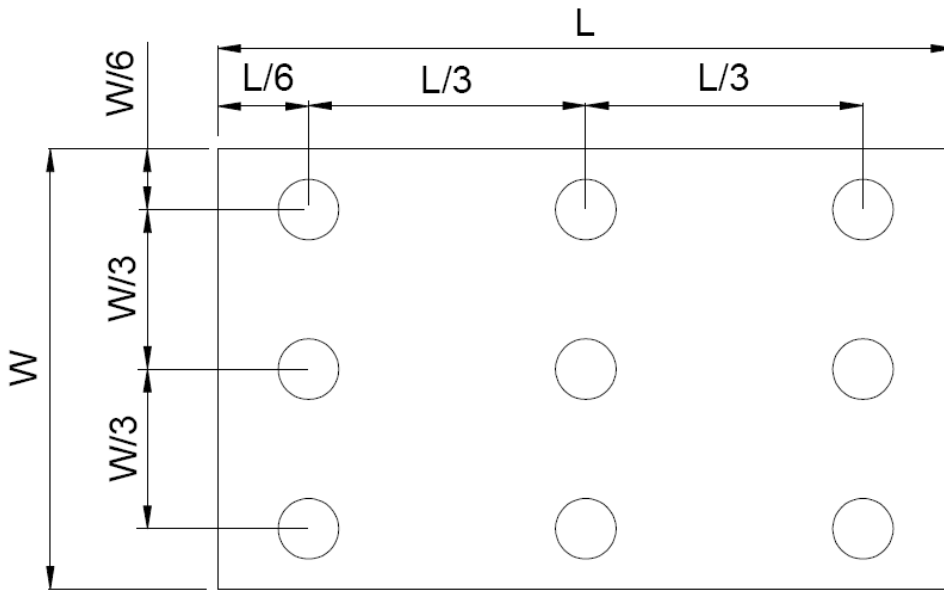


Fig. 4-4 Definition of measuring points

B_{max} : The measured maximum luminance of all measurement position.

B_{min} : The measured minimum luminance of all measurement position.



5. Reliability Test Items

Item	Test Conditions	Remark
High Temperature Storage	Ta = 80°C 240hrs	Note 1 , Note 4
Low Temperature Storage	Ta = -30°C 240hrs	Note 1 , Note 4
High Temperature Operation	Ts = 70°C 240hrs	Note 2 , Note 4
Low Temperature Operation	Ta = -20°C 240hrs	Note 1 , Note 4
Operate at High Temperature and Humidity	+60°C, 90%RH 240hrs	Note 4
Thermal Shock	-30°C/30 min ~ +80°C/30 min for a total 100 cycles, Start with cold temperature and end with high temperature.	Note 4
Vibration Test	Frequency range:10~55Hz Stroke:1.5mm Sweep:10Hz~55Hz~10Hz 2 hours for each direction of X. Y. Z. (6 hours for total)	
Mechanical Shock	100G 6ms,±X, ±Y, ±Z 3 times for each direction	
Package Vibration Test	Random Vibration : 0.015G*G/Hz from 5-200HZ, -6dB/Octave from 200-500HZ 2 hours for each direction of X. Y. Z.(6 hours for total)	
Package Drop Test	Height:60 cm 1 corner, 3 edges, 6 surfaces	
Electro Static Discharge	± 2KV, Human Body Mode, 100pF/1500Ω	

Note 1: Ta is the ambient temperature of samples.

Note 2: Ts is the temperature of panel's surface.

Note 3: In the standard condition, there shall be no practical problem that may affect the display function.

After the reliability test, the product only guarantees operation, but don't guarantee all of the cosmetic specification.

Note 4: Before cosmetic and function test, the product must have enough recovery time, at least 2 hours at room temperature.



6. General Precautions

6.1. Safety

Liquid crystal is poisonous. Do not put it in your mouth. If liquid crystal touches your skin or clothes, wash it off immediately by using soap and water.

6.2. Handling

1. The LCD panel is plate glass. Do not subject the panel to mechanical shock or to excessive force on its surface.
2. The polarizer attached to the display is easily damaged. Please handle it carefully to avoid scratch or other damages.
3. To avoid contamination on the display surface, do not touch the module surface with bare hands.
4. Keep a space so that the LCD panels do not touch other components.
5. Put cover board such as acrylic board on the surface of LCD panel to protect panel from damages.
6. Transparent electrodes may be disconnected if you use the LCD panel under environmental conditions where the condensation of dew occurs.
7. Do not leave module in direct sunlight to avoid malfunction of the ICs.

6.3. Static Electricity

1. Be sure to ground module before turning on power or operating module.
2. Do not apply voltage which exceeds the absolute maximum rating value.

6.4. Storage

1. Store the module in a dark room where must keep at $25\pm 10^{\circ}\text{C}$ and 65%RH or less.
2. Do not store the module in surroundings containing organic solvent or corrosive gas.
3. Store the module in an anti-electrostatic container or bag.

6.5. Cleaning

1. Do not wipe the polarizer with dry cloth. It might cause scratch.
2. Only use a soft sloth with IPA to wipe the polarizer, other chemicals might permanent damage to the polarizer.

6.6. Quality warranty period

Within one year after shipment date. (excluding abnormal usage way and abnormal environments.)



7. Package Drawing

7.1. Packaging Material Table

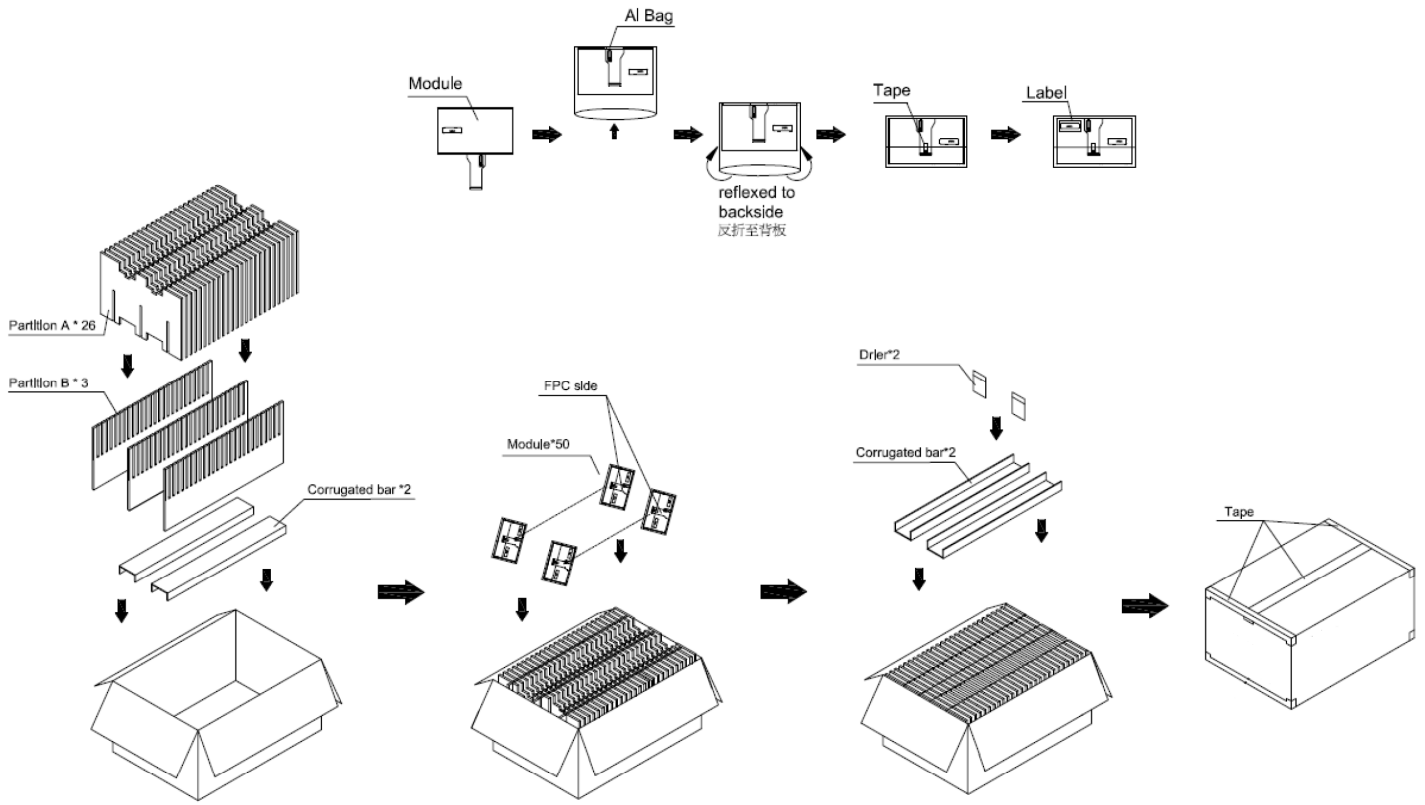
No.	Item	Model (Material)	Dimensions(mm)	Unit Weight (kg)	Quantity	Remark
1	LCM Module	AT070TN92	164.9 × 100.0 × 5.7	0.150	50pcs	
2	Cushion	Paper	512 x 349 x 230	1.889	1pc	
3	Bag	Aluminum foil	200 x 183 x 0.07	0.0074	50pcs	
4	Exsiccator	Silicagel	100 x 75	0.032	4pcs	
5	Tape	Crepe-Paper	30 x 10 x 0.13	0.0001	50pcs	
7	Carton	Corrugated paper	530 × 355 × 255	0.95	1pcs	
8	Total weight					

7.2. Packaging Quantity

Total LCM quantity in Carton: no. of Partition 2 Rows × quantity per Row 25 = 50



7.3. Packaging Drawing



- (1) Box Dimensions : 535(L)*370(W)*265(H)
- (2) 50 Modules/Carton

