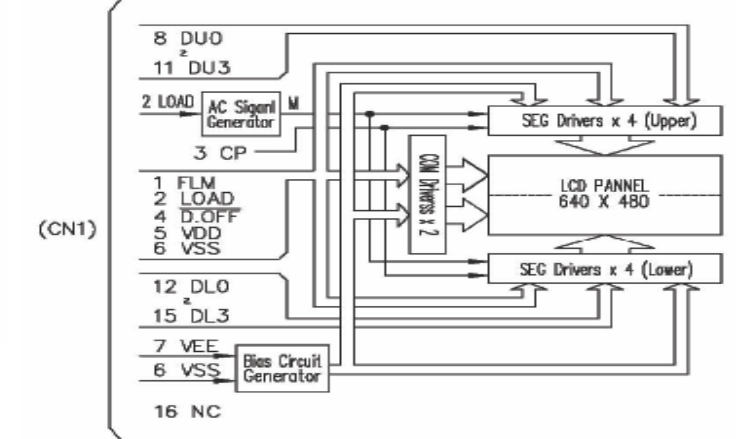


- 1)  $R1+VR+R2=10K\sim 20K\Omega$
- 2) RECOMMENDED CCFL INVERTER : TDK CXA-L10L
- 3) Lamp current : 5mA(rms)



Interface		
Pin no	Symbol	Function
1	FLM	Scan Start-UP Signal
2	LOAD	Data Latch Pulse
3	CP	Data Shift Pulse
4	/D.OFF	Display Off ("H"=On, "L"= Off)
5	VDD	Power Supply for Logic(+5V)
6	VSS	Signal Ground (GND)
7	VEE	Power Supply for LCD(+)
8	DU0	Display Data (Upper Half)
9	DU1	Display Data (Upper Half)
10	DU2	Display Data (Upper Half)
11	DU3	Display Data (Upper Half)
12	DL0	Display Data (Lower Half)
13	DL1	Display Data (Lower Half)
14	DL2	Display Data (Lower Half)
15	DL3	Display Data (Lower Half)

Feature			
Controller	-	Module	260 x 174
Duty	1/240 duty	Viewing Area	197 x 147.6
Bias	1/16 bias	Mounting hole	-
B/L	CCFL	Character Size	0.27 x 0.27

Absolute Maximum Rating					
I tem	Symbol	Condition	Min	Max	Units
Supply for logic voltage	Vdd-Vss	25°c	-0.3	7	V
LCD driving supply voltage	Vdd-Vss	25°c	-0.3	13	V
Input voltage	Vin	25°c	-0.3	Vdd+0.3	V

Electrical Characteristics						
Item	Symbol	Condition	Min.	Typ.	Max.	Units
Power supply voltage	Vdd-Vss	25°c	2.7	-	5.5	V
LCD operation voltage	Vop	25°c	-	22.8	-	V
CCFL Forward Voltage	VF	25°c	-	386	-	V
CCFL Forward Current	IF	25°c	-	5	-	mA