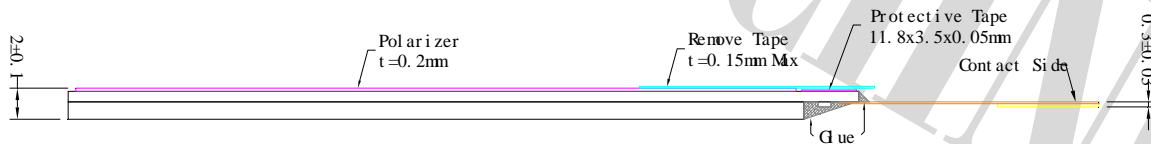
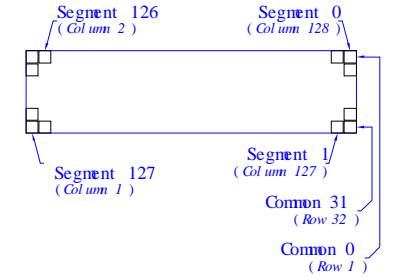
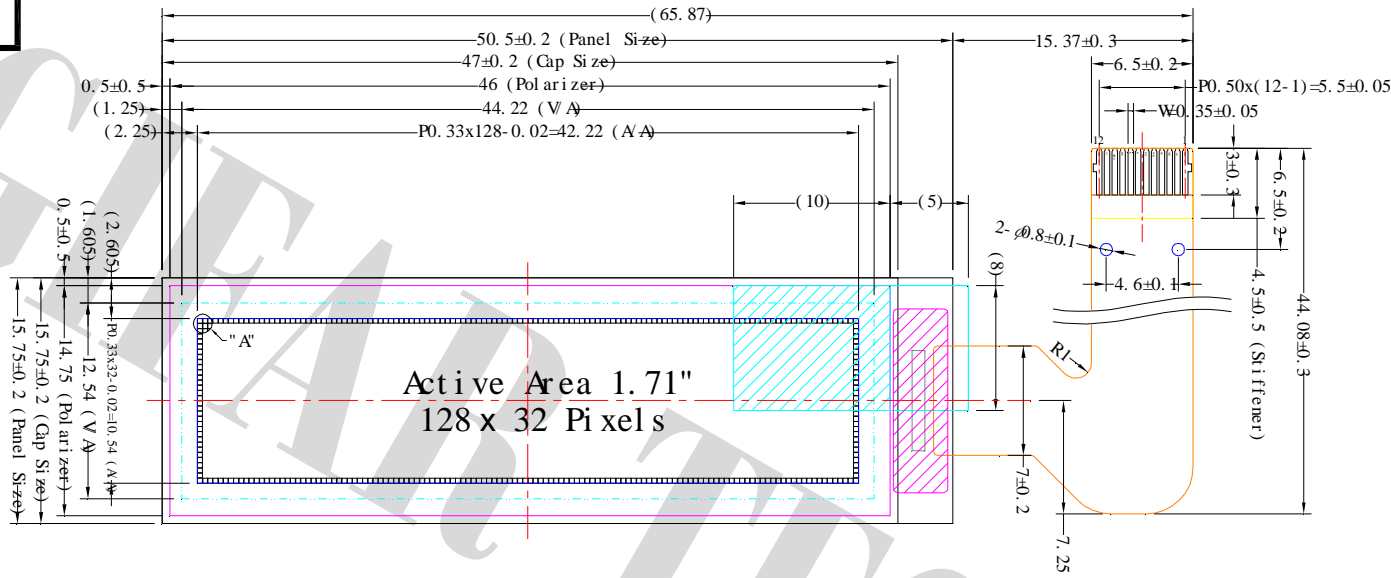
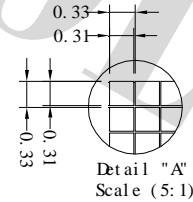


RoHS




Notes:

1. Color: White
2. Driver IC: SSD1307
3. FPC Number: UF-0207-P09
4. Interface: 4-wire SPI
5. General Tolerance:  $\pm 0.30$
6. The total thickness (2.10 Max) is without protective film & remove tape.  
The actual assembled total thickness with the above should be 2.35 Max.



Pin	Symbol
1	N.C. (GND)
2	VCC
3	VDD
4	CS#
5	RES#
6	D/C#
7	DD
8	DI
9	IREF
10	VCOMH
11	N.C.
12	N.C. (GND)

日期	版本	修改内容


**晶發科技股份有限公司**  
**GFI FAR TECHNOLOGY CO., LTD**

DATE	2018.10.17	REV	00	DRAWING NO.:	R01-2017071403
UNIT : mm	Product :			GFOG128032C-WG	
SCALE : 1/1	DRAWN:	Hazel	CHECKED:	Sidney	PAGE: 1/1