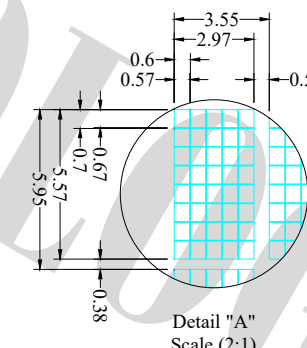



Notes:

1. Color: Light Blue
2. Driver IC: US2066
3. FPC Number: UT-0166-P01
4. Interface:
4-/8-bit 68XX/80XX Parallel, SPI, I2C
5. General Tolerance: ±0.30
6. The total thickness (2.10 Max) is without polarizer protective film & remove tape.
The actual assembled total thickness with above materials should be 2.35 Max.

Pin	Symbol
1	N.C.
2	VSL
3	VSS
4	REGVDD
5	SHLC
6	SHLS
7	VDD
8	VDDIO
9	BS0
10	BS1
11	BS2
12	GPIO
13	CS#
14	RES#
15	D/C#
16	R/W#(WR#)
17	E(RD#)
18	D0
19	D1
20	D2
21	D3
22	D4
23	D5
24	D6
25	D7
26	IREF
27	ROM0
28	ROM1
29	OPRO
30	OPR1
31	VCOMH
32	VCC
33	N.C.



日期	版本	修改内容



晶發科技股份有限公司
GI FAR TECHNOLOGY CO., LTD

DATE	2018.05.04	REV	X0	
UNIT : mm	Product :	GFOC1602C-BG		
SCALE : 1/1	DRAWN :	Hazel	CHECKED :	Sidney
SHEET : 1/1				PAGE : 1/1