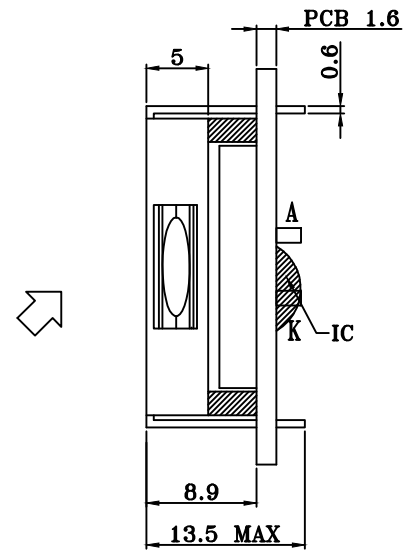
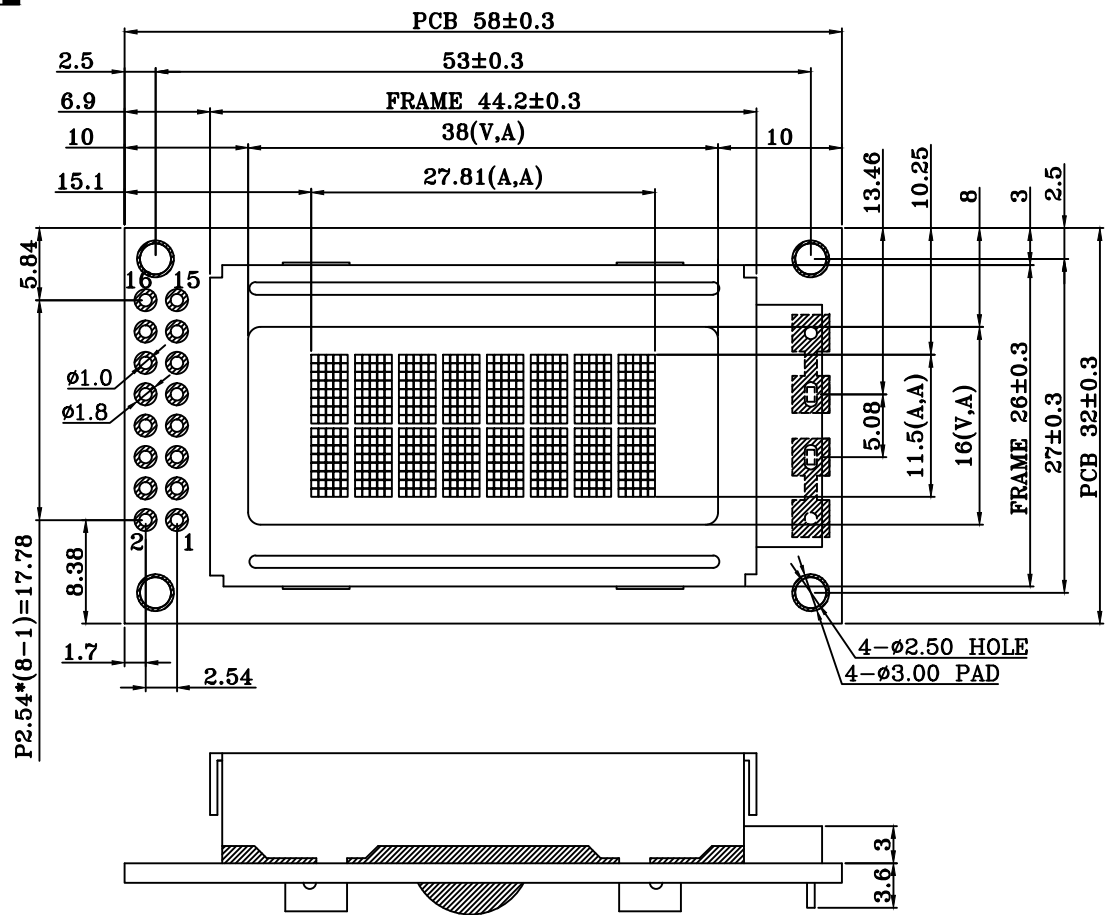
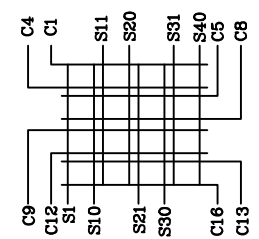
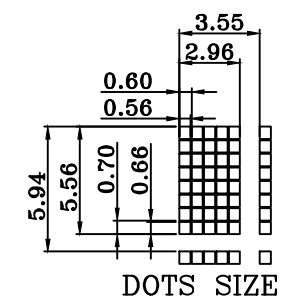
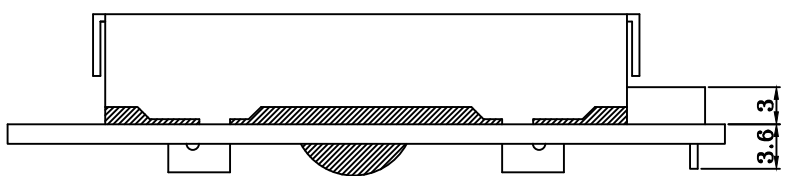


# RoHS




PIN NO	SYMBOL
1	VSS
2	VDD
3	VO
4	RS
5	R/W
6	E
7	DB0
8	DB1
9	DB2
10	DB3
11	DB4
12	DB5
13	DB6
14	DB7
15	A
16	K



**NOTES:**

- DRIVE METHOD: 1/16DUTY, 1/5BIAS, VDD5.0V,VOP4.3V.
- VIEWING ANGLE: 6 0'CLOCK. 封口在右
- DISPLAY TYPE: STN(GRAY),TRANSFLECTIVE/POSITIVE.
- OPERATING TEMP: -20 TO 70°C.
- STORAGE TEMP: -30 TO 80 °C.
- CONNECTION:ZEBRA.
- IC: ST7066U-0B
- BACKLIGHT: WHITE(3.2V, 20x2mA)EDGE
- NOT DIMENSION TOLERANCES IS ±0.3.

日期	版本	修改内容
20161213	01	修改公司抬頭為"晶發科技股份有限公司"



**晶發科技股份有限公司**  
GI FAR TECHNOLOGY CO., LTD

DATE	2016.12.13	REV	01
UNIT : mm	Product :	GFC0802C-GPFEE5B	
SCALE : 1/1	DRAWN :		
SHEET : 1/1	Hazel		
CHECKED :		Donlin	PAGE : 1/1