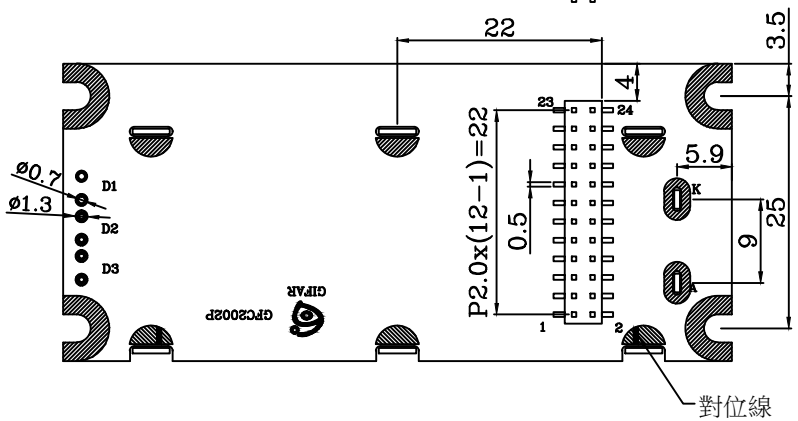
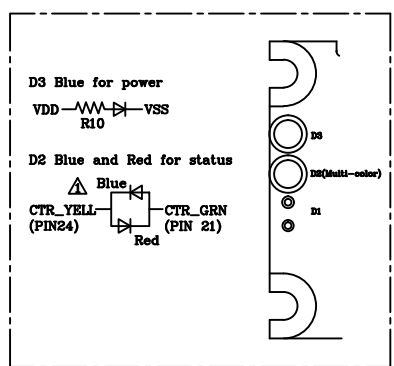
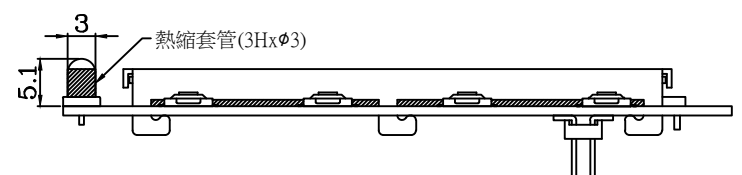
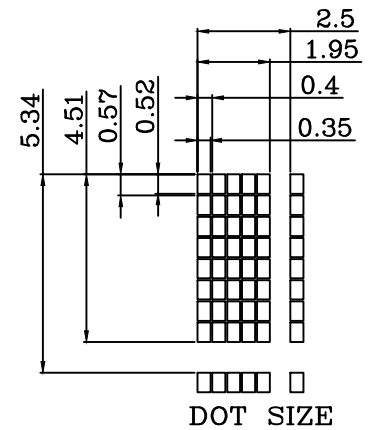
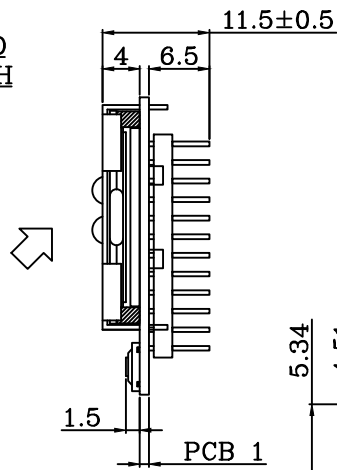
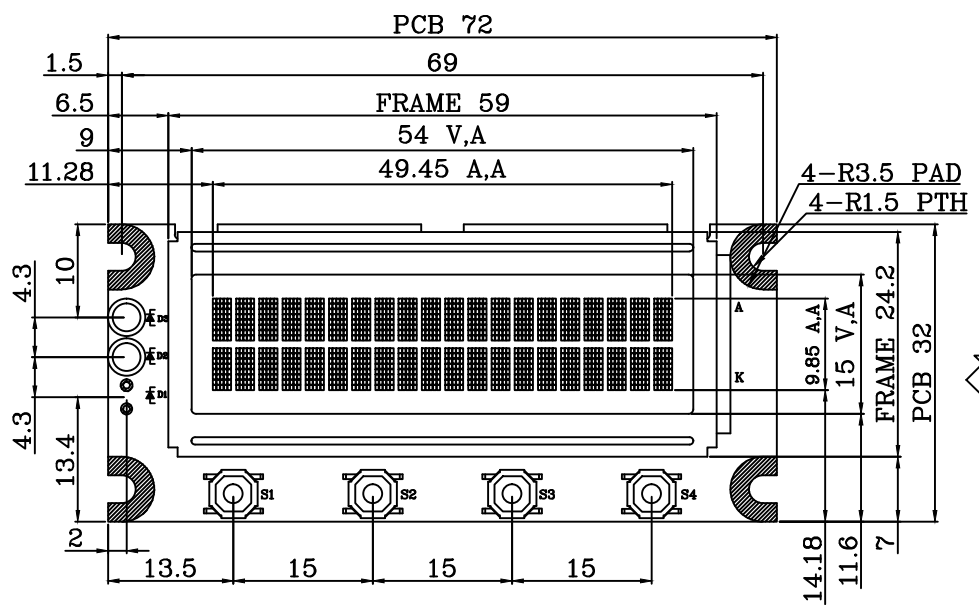
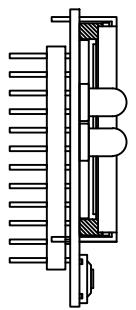


RoHS


NO	NAME
1	VSS
2	VDD
3	V0
4	RS
5	R/W
6	E
7	DB0
8	DB1
9	DB2
10	DB3
11	DB4
12	DB5
13	DB6
14	DB7
15	LED+
16	LED-
17	KAP1
18	KAP2
19	KAP3
20	KAP4
21	CT_GRN
22	NC
23	NC
24	CTR_YELL



NOTES:

1. DRIVE METHOD: 1/16DUTY,1/5BIAS,VOP4.4V.
2. VIEWING ANGLE: 6 O'CLOCK. (封口朝右)
3. DISPLAY TYPE: STN(BLUE),TRANSMISSIVE/NEGATIVE.
4. OPERATING TEMP: -20 TO 70°C.
5. STORAGE TEMP: -30 TO 80°C.
6. CONNECTION:ZEBRA.(Large panel is on top layer.)
7. CONTROLLER IC: ST7066U-0A, ST7063D.
8. BACK LIGHT:WHITE(EDGE)LED 4pcs.
9. NOT DIMENSION TOLERANCES IS ±0.2.

日期	版本	修改內容
141228	01	拿掉D1 LED
161229	02	修改公司抬頭為"晶發科技股份有限公司"



晶發科技股份有限公司
GI FAR TECHNOLOGY CO., LTD

DATE	2016.12.29	REV	02
UNIT : mm	Product :	GFC2002P-BNFEJSB04	
SCALE : 1/1	DRAWN :		
SHEET : 1/1	Hazel		
CHECKED :		Donlin	PAGE : 1/1