



SPECIFICATIONS

CUSTOMER : _____

MODEL NO. : **GFTO170BA12801024V**

VERSION : **A**

DATE : **2018.01.12**

CERTIFICATION : **ROHS**

CUSTOMER SIGN : _____

QA Approved By	Approved By	Prepared By	Prepared By

晶發科技股份有限公司
GI FAR TECHNOLOGY CO., LTD.

新北市樹林區東豐街 81 號

No. 81, Dongfeng St, Shulin District, 23874, New Taipei City, Taiwan, R.O.C.

TEL: +886-2-8684-1188 FAX: +886-2-8684-8532



Revision Record

Data(y/m/d)	Ver.	Description	Note	page
2018.01.12	A	New		



CONTENTS

1. SPECIFICATIONS	
1.1 Features	4
1.2 Absolute Maximum Ratings	5
1.3 Electrical Characteristics	6
1.4 Optical Characteristics	8
1.5 Backlight	11
1.6 Converter Specification for Backlight	12
1.7 Power and Signal sequence	14
2. MODULE STRUCTURE	15
2.1 Interface Pin Description	15
2.2 BLOCK DIAGRAM	16
2.3 INTERFACE TIMING	17
2.4 Color Data Reference	19
3. RELIABILITY TEST	20
4. LCM Drawing	21
5. WARRANTY	22



1. SPECIFICATIONS

GFTO170BA12801024V is 15.0" color TFT-LCD (Thin Film Transistor Liquid Crystal Display) module composed of LCD panel, driver ICs, control circuit and backlight. By applying 8 bit digital data(6Bit+HFRC), 1280×RGBX3 X1024, 16.7M-color images are displayed on the 17.0" diagonal screen.

General specifications are summarized in the following table:

1.1 Features

ITEM	SPECIFICATION
Display Area(mm)	337.92(W) × 270.336(H) (17.0-inch diagonal)
Number of Pixels	1280(H) × 1024(V)
Pixel Pitch(mm)	0.264(W) × 0.264(H)
Color Pixel Arrangement	RGB vertical strip
Display Mode	Normally white, TN
Number of Colors	16.7M (6Bit+HFRC)
Brightness(cd/m ²)	450 (typ.) (Center point, 110 mA)
Viewing Angle	160 /140(Typ.)
Optimum Viewing Direction	6 O'clock(Max contrast ratio, Gray level inversion)
Surface Treatment	Anti-Glare, 3H
Power consumption(W)	TFT LCD Cell=1.4W · Backlight=12W(Typ)
Interface Connection	LVDS
Module Size(mm)	358.5 × 296.5 × 11.5 (typ)
Module Weight(g)	1100(typ.)
Backlight Unit	LED:(white-LED)

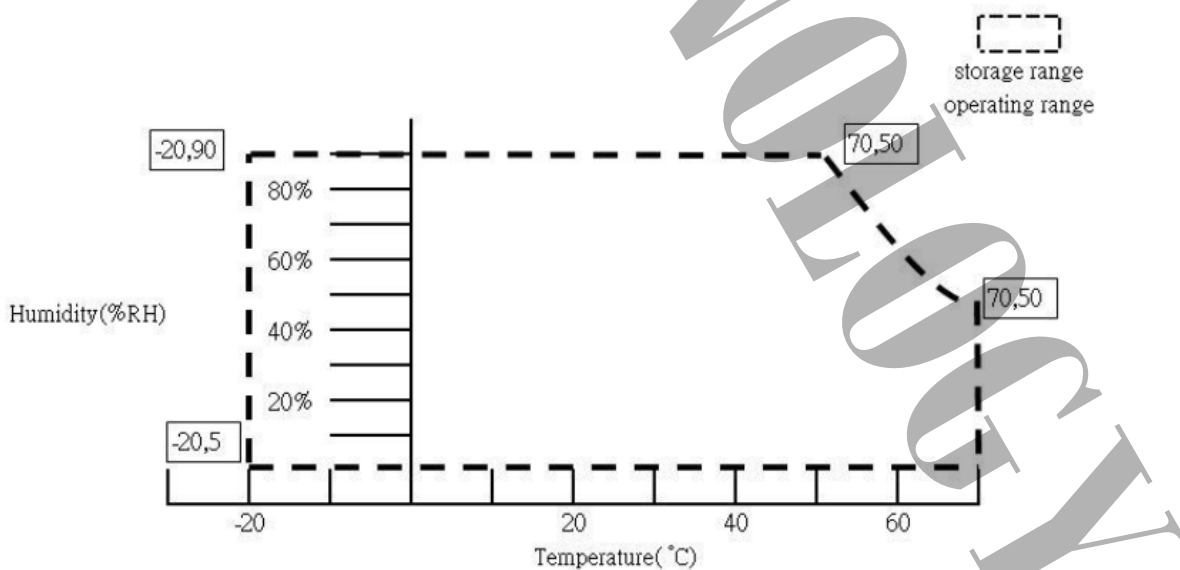


1.2 Absolute Maximum Ratings

ITEM	SYMBOL	MIN.	MAX.	UNIT	REMARK
Power Supply Voltage for LCD	VCC	0	6.0	V	
Logic Input Voltage	VI	0	6.0	V	
Backlight Power Supply Voltage	VLED	0	15	V	
Backlight ON-OFF Voltage	LED_EN	0	6	V	
Backlight Dimming Control Input Voltage	LED_PWM	0	6	V	
LED Forward voltage	VF	2.8	6.0	V	1). 2)
LED Forward current	IF	--	6.0	mA	
Operation Temperature	Top	-30	80	°C	3). 4). 5). 6).
Storage Temperature	Tstg	-30	80	°C	3). 4). 5). 6).

[Note]

- 1).Product life-time relate to LED, please operate production follow statement at page 8“(2)back light”.
- 2).When LED current over the definition of operating current ,product life-time will decay rapidly or operate unusual.
- 3)The relative temperature and humidity range are as below sketch, 90%RHMax.($T_a \leq 40^\circ\text{C}$).
- 4).The maximum wet bulb temperature $\leq 39^\circ\text{C}$ ($T_a > 40^\circ\text{C}$) and without dewing.
- 5).If you use the product in an environment which over the definition of temperature and humidity too long to effect the result of eye-etching.
- 6) If you operate the product in normal temperature range, the center surface of front side panel should be under 80°C





1.3 Electrical Characteristics

TFT LCD

ITEM	SYMBOL	MIN	TYP	MAX	UNIT	NOTE
LCD Power Voltage	VCC	4.5	5.0	5.5	V	
LCD Power Current	ICC	-	290	500	mA	*1)
LCD Rush Current	VCC_Irush			3	A	*3)
Logic Input Voltage (LVDS: IN+,IN-)	Common Voltage	$\frac{ VID }{2}$	-	$2.4 - \frac{ VID }{2}$	V	Logic Input Voltage (LVDS: IN+,IN-)
	Differential Input Voltage	VID	200	600	mV	
	Threshold Voltage (HIGH)	VTH	-	100	mV	
	Threshold Voltage (LOW)	VTL	-100	-	-	mV
Logic Input Voltage	VIH	0.7*DVDD	-	DVDD	V	Logic Input Voltage
	VIL	GND	-	0.3*DVDD	V	
Power consumption	P		1.4	1.8	W	

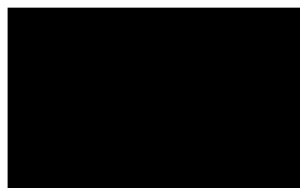
【 Note 】

*1)TYP. specification : Gray-level test Pattern (TYP Freq. @5.0V)

MAX. specification : Black test Pattern (TYP Freq. @5.0V)



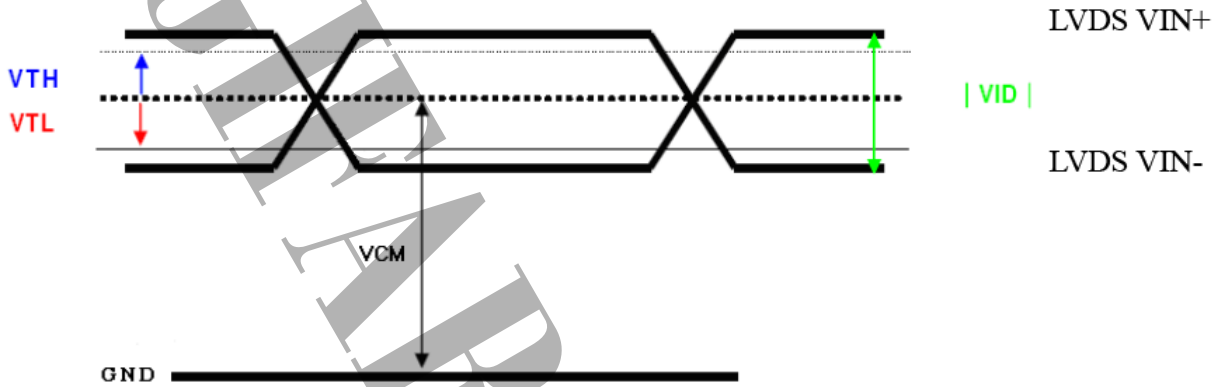
Gray-level Pattern



Black Pattern

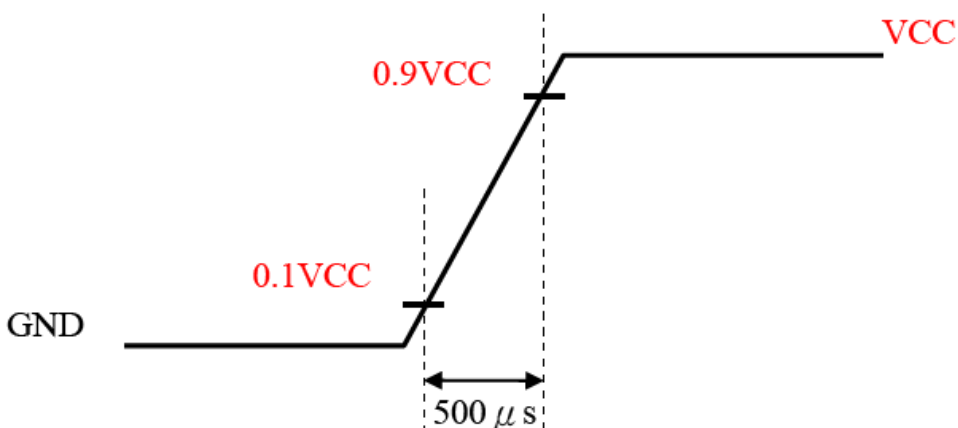
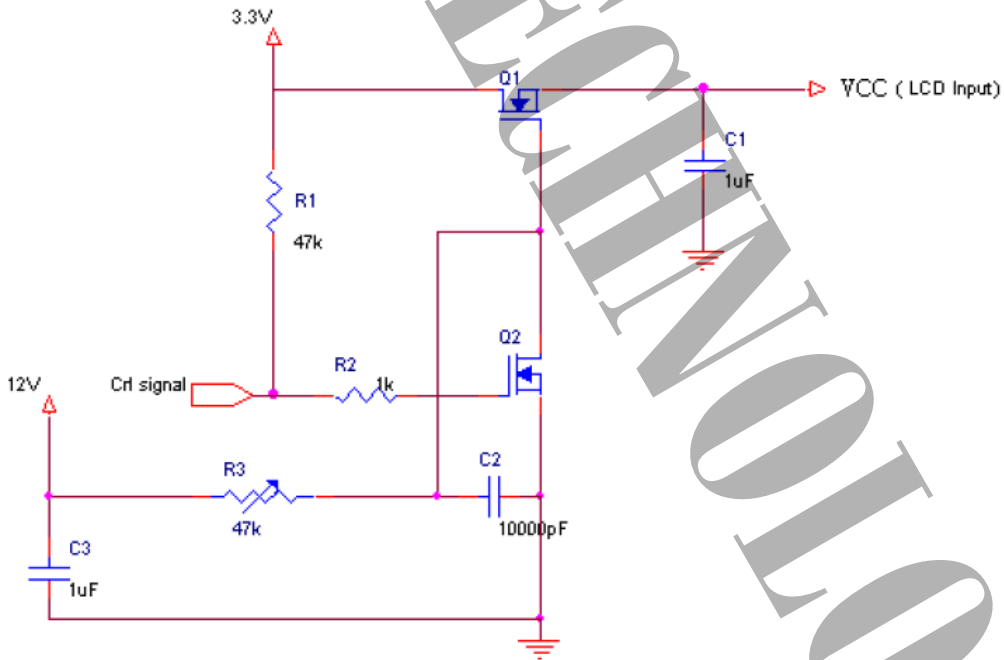


*2) LVDS Signal Definite :



VIN+ : Positive differential DATA & CLK Input
VIN- : Negative differential DATA & CLK Input

*3) Irush measure condition





1.4 Optical Characteristics

Ta=25°C · VCC=3.3

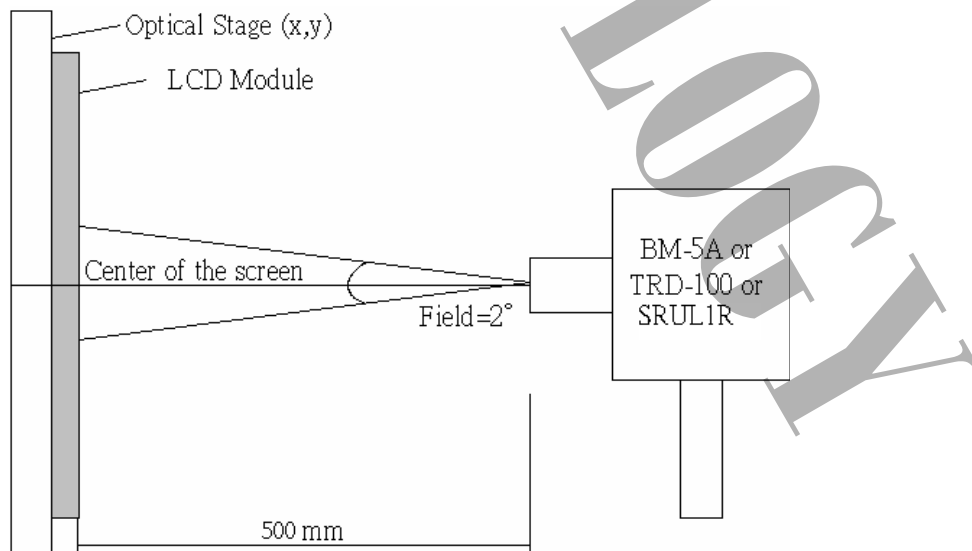
ITEM	SYMBOL	CONDITION	min	typ	max	UNIT	REMARK	
Contrast Ratio	CR	$\theta = \psi = 0^\circ$	--	700	--	--	*1) 2)	
Luminance(CEN)	L	$\theta = \psi = 0^\circ$	360	450	--	cd/m ²	*1) 3)	
9P Uniformity	ΔL	$\theta = \psi = 0^\circ$	75	80	--	%	*1) 3)	
Response Time	Tr	$\theta = \psi = 0^\circ$	--	10	15	ms	*5)	
	Tf	$\theta = \psi = 0^\circ$	--	15	25			
Crosstalk	CT	$\theta = \psi = 0^\circ$	--	--	--	%	*6)	
Viewing Angle	Horizontal	ψ	CR ≥ 10	-70~70	-80~80	--	Deg.	*4)
	Vertical	θ		-60~60	-70~70	--	Deg.	
Color Coordinates	White	X Y	$\theta = \psi = 0^\circ$	(0.263) (0.279)	(0.313) (0.329)	(0.363) (0.379)	*3)	
	Red	X Y		TBD	TBD	TBD		
	Green	X Y		TBD	TBD	TBD		
	Blue	X Y		TBD	TBD	TBD		
Gamut	CG	$\theta = \psi = 0^\circ$	67	72	--	--	--	
Gamma	γ	VESA	2	2.2	2.4	--	*7)	

[Note]

Definition of these measurement items is as follows:

1) Setup of Measurement Equipment

The LCD module should be turn-on to a stable luminance level to be reached. The measurement should be executed after lighting Backlight for 20 minutes and in a dark room.





2). Definition of Contrast Ratio:

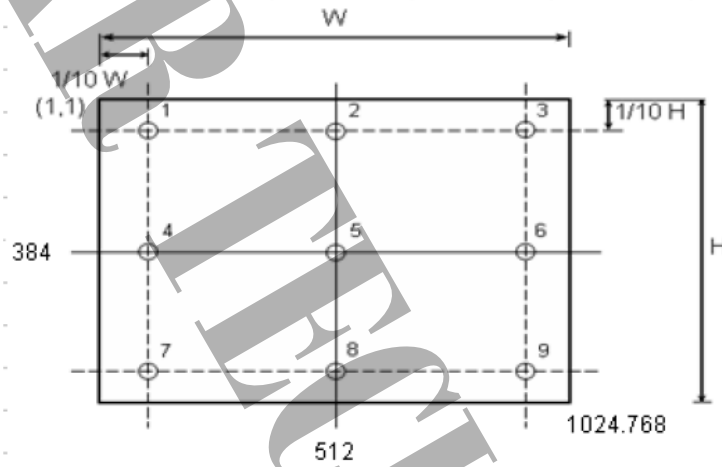
$$CR = \text{ON (White) Luminance} / \text{OFF (Black) Luminance}$$

3). Definition of Luminance and Luminance uniformity:

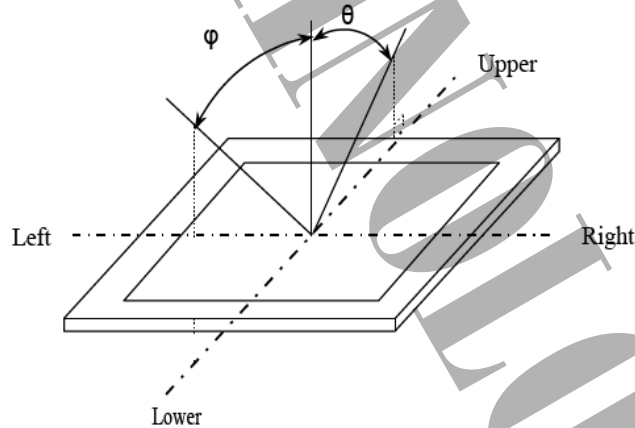
Center Luminance, & Color coordinate: measuring the luminance of the point no. 5

Average Luminance: measuring average luminance of points no.1-no.9

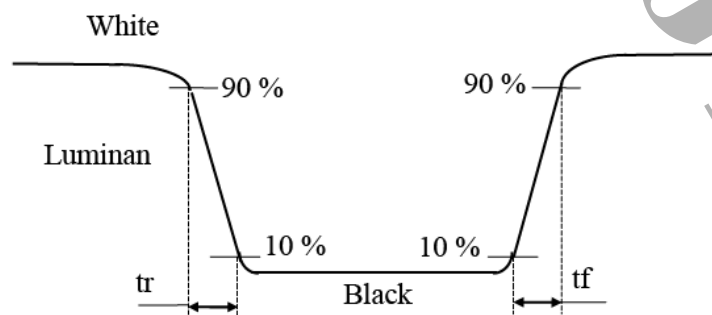
$$\text{Uniformity: } \Delta L = [L (\text{Min}) / L (\text{Max})] \times 100 \%$$



4). Definition of Viewing Angle (θ, ψ):



5) Definition of Response Time:



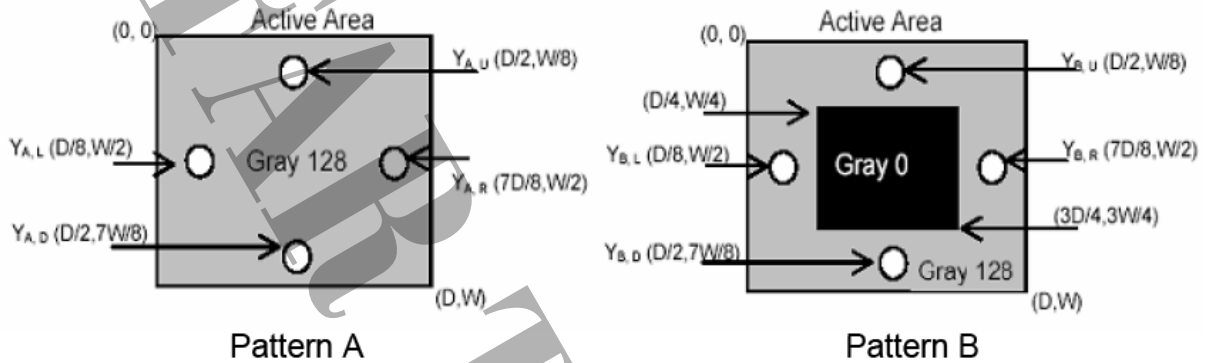


6) Definition of crosstalk:

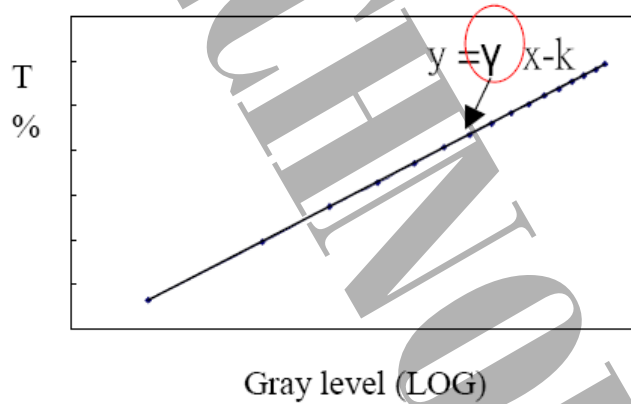
$$CT = |Y_B - Y_A| / Y_A \times 100 (\%)$$

Y_A : The luminance of measured position at pattern A

Y_B : The luminance of measured position at pattern B with Gray level 0



7) Definition of Gamma (γ), follow VESA standard sampling every 16 gray level (0,16,32,.....224,240,255)





1.5. Backlight

1. Electrical specification

1-1 single

LED $T_a=25^{\circ}\text{C}$ (T_a : ambient temperature)

Item	Symbol	Condition	Min	Typ	Max	Unit	Remarks
Forward Voltage	VF	$T_a=25^{\circ}\text{C}$ Each serial=110mA	2.8	3.1	3.4	V	1) 2) 3)
Forward Current	IF	$T_a=25^{\circ}\text{C}$ Each serial=110mA	--	110	--	mA	1) 2) 3)
Backlight Lifetime	-		--	50,000	--	Hr	4) 5)

Remarks :

*1)LED Circuit Diagram :



*2) A : Anode(+) , K : Cathode(-)

*3) Definition of the LED life time: Luminance (L) under 50% of specification.

*4) When the ambient temperature T_a overstep 25°C , it will serious damage life time.

*5) When the LED operation current IF overstep 110mA, it will serious damage life time.



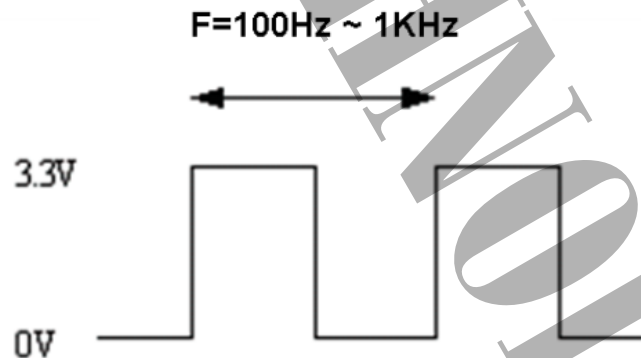
1.6. Converter Specification for Backlight

Ta = 25°C

ITEM	SYMBOL	MIN	TYP	MAX	UNIT	NOTE
LED Driver Input Voltage	VLED	10.8	12.0	13.2	V	
LED Driver Input Current	IVLED	-	1180	1600	mA	*1)
LED Rush Current	VLED_Irush			3	A	*3)
Dimming Control	High	2.4	--	5.5	V	Dimming Control
	Low	0		0.8		
PWM Frequency	LED_PWM	100	200	1K	Hz	*2)
Duty Ratio		5	-	100	%	
ON/OFF Control	High	2.4		5.5	V	ON/OFF Control
	Low	0		0.8		
Power Consumption (Backlight)	BLW	--	12	14	W	

*1) Maximum LED Driver Input Current at 10.8V Input Voltage/PWM Duty 100%.

*2) The ADJ adjust signal level is 0~3.3V , operation frequency:100Hz~1KHz .

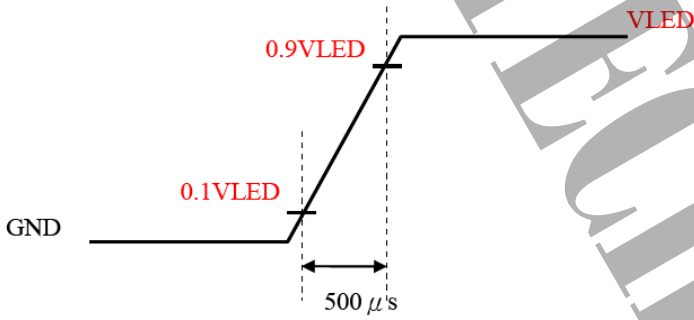
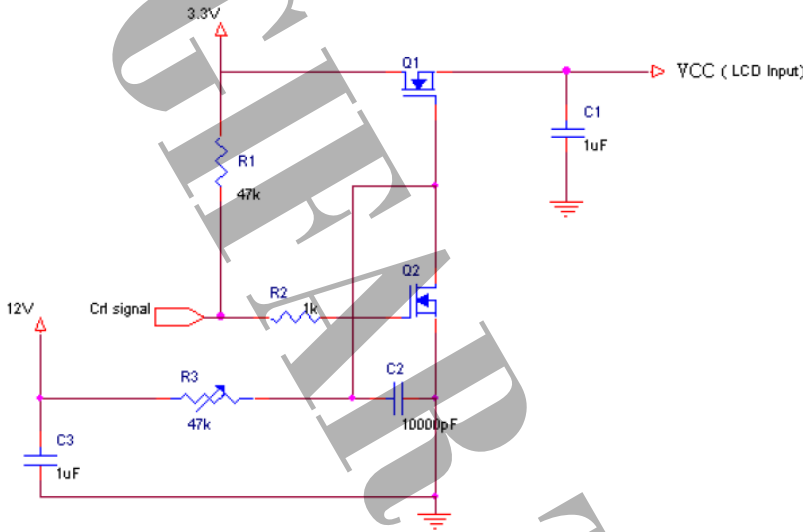


The ADJ can adjust LED BL brightness , where Duty and Luminance are in direct ratio.





*3) Irush measure condition

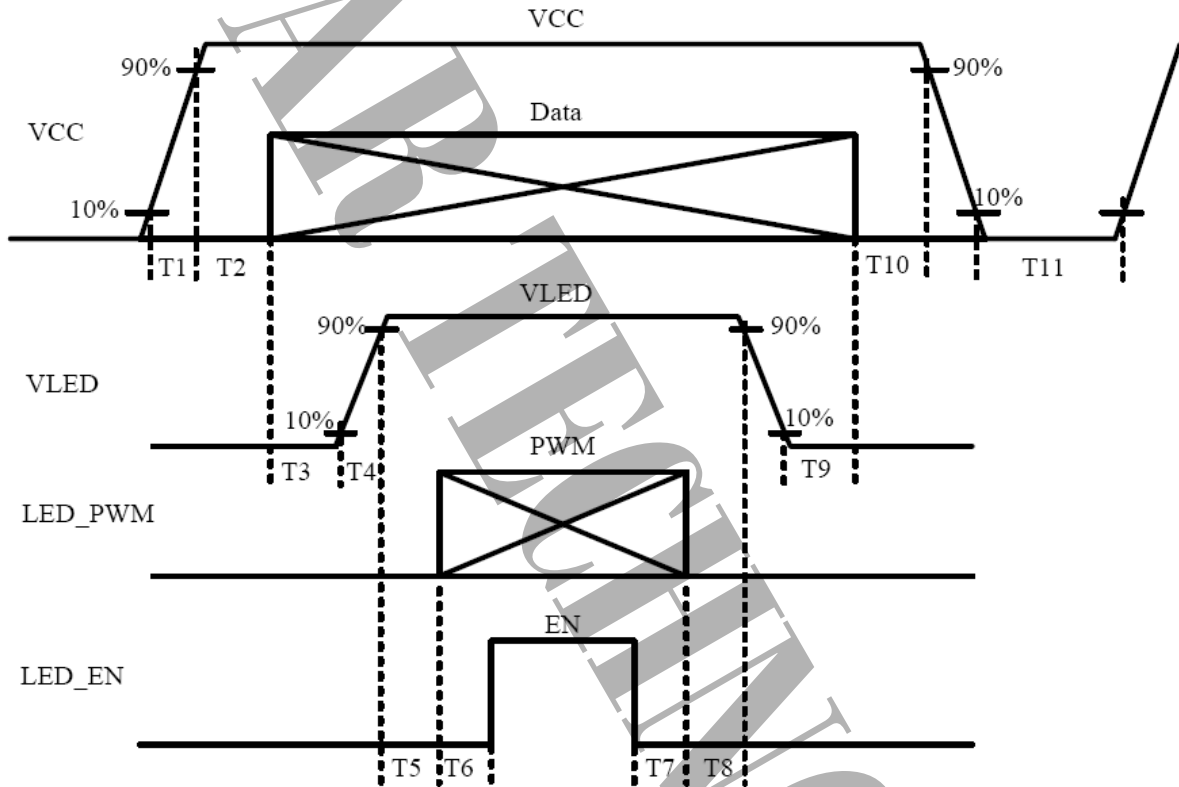




1.6 Power and Signal sequence

Power Sequence :

$0.50\text{ ms} \leq T1 \leq 10\text{ ms}$	$200\text{ ms} \leq T3$	$10\text{ ms} \leq T8$
$0.01\text{ ms} < T2 \leq 50\text{ ms}$	$10\text{ ms} \leq T5$	$200\text{ ms} \leq T9$
$0.50\text{ ms} \leq T4 \leq 10\text{ ms}$	$10\text{ ms} \leq T6$	$500\text{ ms} \leq T11$
$0.01\text{ ms} < T10 \leq 50\text{ ms}$	$0\text{ ms} \leq T7$	



Data: NIND0 ~ NIND3 , PIND0 ~ PIND3 , NINC , PINC , DENA



2. MODULE STRUCTURE

2.1 Interface Pin Description

Used connector: 093G30-B2001A-M4(STARCONN) or equivalent

PIN NO.	SYMOBL	FUNCTION
1	RXO0-	minus signal of odd channel 0(LVDS)
2	RXO0+	plus signal of odd channel 0(LVDS)
3	RXO1-	minus signal of odd channel 1(LVDS)
4	RXO1+	plus signal of odd channel 1(LVDS)
5	RXO2-	minus signal of odd channel 2(LVDS)
6	RXO2+	plus signal of odd channel 2(LVDS)
7	GND	ground
8	RXOC-	minus signal of odd clock channel (LVDS)
9	RXOC+	plus signal of odd clock channel (LVDS)
10	RXO3-	minus signal of odd channel 3(LVDS)
11	RXO3+	plus signal of odd channel 3(LVDS)
12	RXE0-	minus signal of even channel 0(LVDS)
13	RXE0+	plus signal of even channel 0(LVDS)
14	GND	ground
15	RXE1-	minus signal of even channel 1(LVDS)
16	RXE1+	plus signal of even channel 1(LVDS)
17	GND	ground
18	RXE2-	minus signal of even channel 2(LVDS)
19	RXE2+	plus signal of even channel 2(LVDS)
20	RXEC-	minus signal of even clock channel (LVDS)
21	RXEC+	plus signal of even clock channel (LVDS)
22	RXE3-	minus signal of even channel 3(LVDS)
23	RXE3+	plus signal of even channel 3(LVDS)
24	GND	ground
25	GND	ground
26	GND	ground
27	GND	ground
28	VCC	Power supply input voltage(5.0 V)
29	VCC	Power supply input voltage(5.0 V)
30	VCC	Power supply input voltage(5.0 V)

- 1) Please keep the NC Pin and don't connect it to GND or other signals.
- 2) GND Pin must connect to the ground, don't let it be a vacant pin.



(2) CN2 (Backlight)

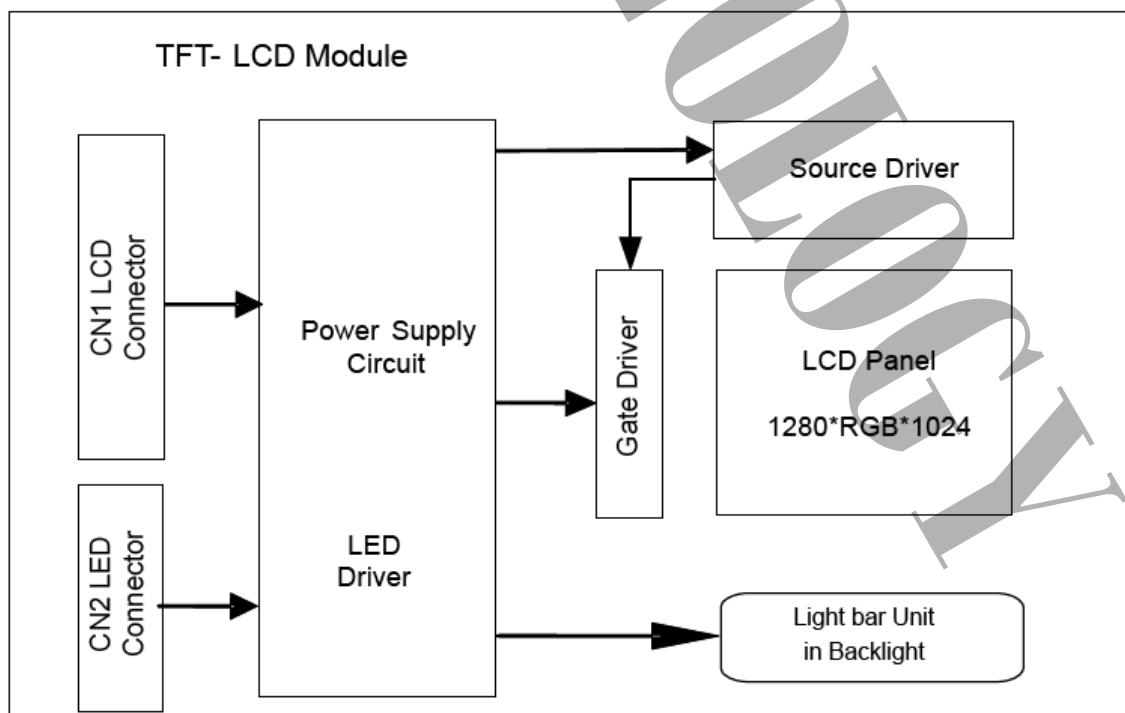
Outlet connector : 7905Y10-000000-M1-R (STARCONN)

Plug connector : H790525-101000 (STARCONN) or equivalent

PIN #	SYMBOL	FUNCTION
1	VLED	+12V Power Supply
2	VLED	+12V Power Supply
3	VLED	+12V Power Supply
4	VLED	+12V Power Supply
5	GND	GND
6	GND	GND
7	GND	GND
8	GND	GND
9	LED_EN	ON : 5V / OFF: 0V (*1)
10	LED_PWM	Light Dimming Control : PWM Input for Dimming: L : 0V / H : 5V Freq : 100-1000Hz Duty : 5%-100%

*1) Enable High=5.5 to 2.4, Low=0 to 0.8V

2.2 BLOCK DIAGRAM





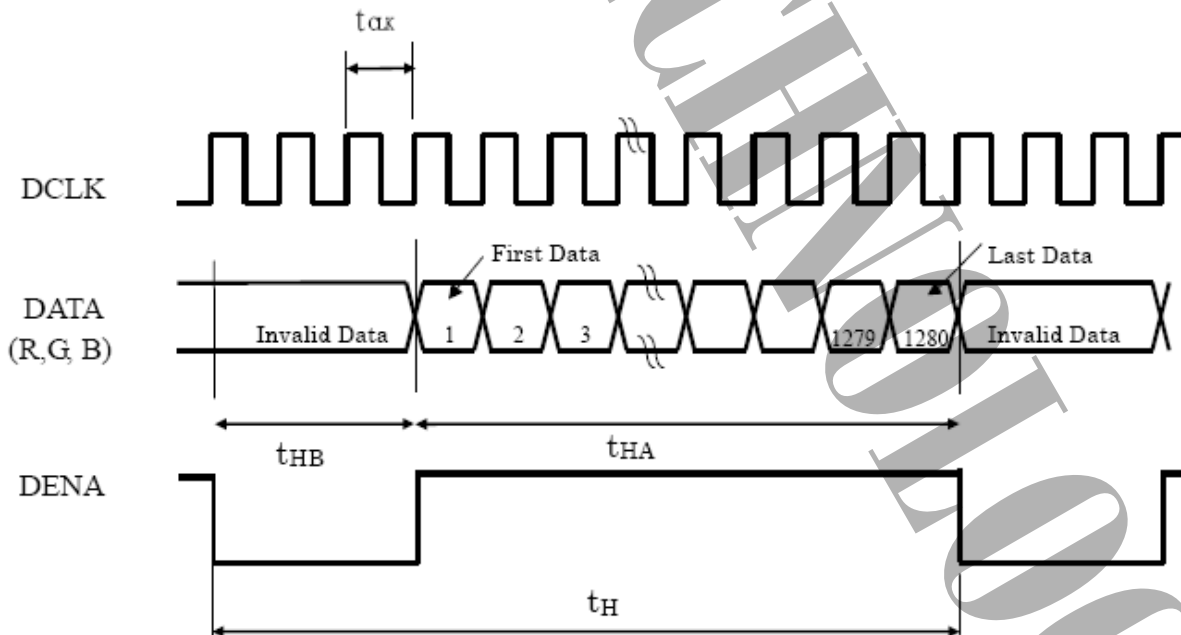
2.3. INTERFACE TIMING

(1) Timing Specifications

		ITEM	SYMBOL	MIN	TYP	MAX	UNIT
LCD Timing	DCLK	Frequency	f_{CLK}	44	54	67.5	MHz
		Period	t_{CLK}	14.81	18.52	22.2	ns
	DATA Enable DENA	Horizontal Active Time	t_{HA}		640		t_{CLK}
		Horizontal Blank Time	t_{HB}	140	204	-	t_{CLK}
		Horizontal Total Time	t_H	780	844	2047	t_{CLK}
		Vertical Active Time	t_{VA}		1024		tH
		Vertical Blank Time	t_{VB}	8	42	126	tH
		Vertical Total Time	t_V	1032	1066	1150	tH
	Vertical Frame Rate	Fr	50	60	75	Hz	

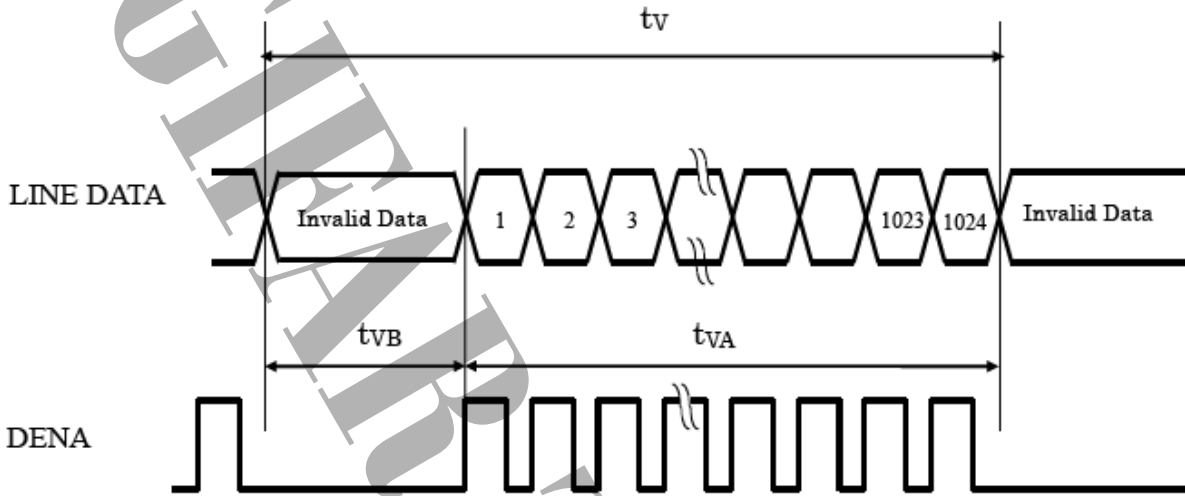
(2) Timing Chart

a. Horizontal Timing

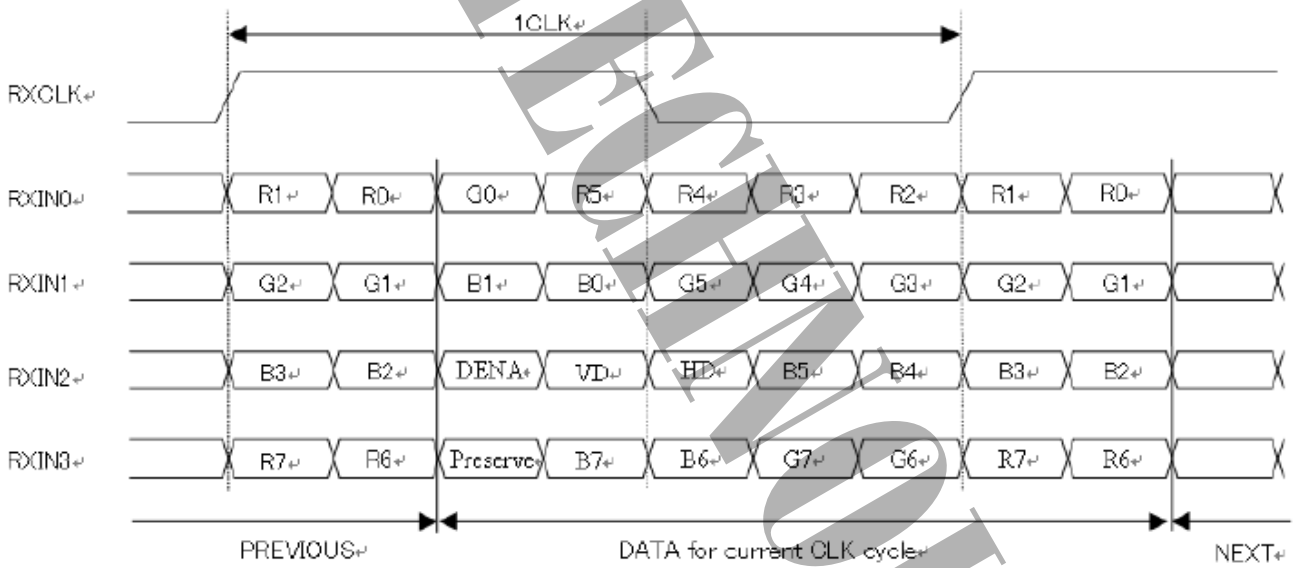




b. Vertical Timing



(3) LVDS DATA (VESA) : Timing Chart





2.4 Color Data Reference

COLOR	INPUT DATA	R DATA								G DATA								B DATA							
		R7	R6	R5	R4	R3	R2	R1	R0	G7	G6	G5	G4	G3	G2	G1	G0	B7	B6	B5	B4	B3	B2	B1	B0
		MSB						LSB	MSB							LSB	MSB								LSB
BASIC COLOR	BLACK	0	0	0	0	0	0	0	0	0	0	0	0	0	0	0	0	0	0	0	0	0	0	0	
	RED(255)	1	1	1	1	1	1	1	1	0	0	0	0	0	0	0	0	0	0	0	0	0	0	0	
	GREEN(255)	0	0	0	0	0	0	0	0	1	1	1	1	1	1	1	0	0	0	0	0	0	0	0	
	BLUE(255)	0	0	0	0	0	0	0	0	0	0	0	0	0	0	0	1	1	1	1	1	1	1	1	
	CYAN	0	0	0	0	0	0	0	0	1	1	1	1	1	1	1	1	1	1	1	1	1	1	1	
	MAGENTA	1	1	1	1	1	1	1	1	0	0	0	0	0	0	0	1	1	1	1	1	1	1	1	
	YELLOW	1	1	1	1	1	1	1	1	1	1	1	1	1	1	1	0	0	0	0	0	0	0	0	
	WHITE	1	1	1	1	1	1	1	1	1	1	1	1	1	1	1	1	1	1	1	1	1	1	1	
RED	RED(0)	0	0	0	0	0	0	0	0	0	0	0	0	0	0	0	0	0	0	0	0	0	0		
	RED(1)	0	0	0	0	0	0	0	1	0	0	0	0	0	0	0	0	0	0	0	0	0	0		
	RED(2)	0	0	0	0	0	0	1	0	0	0	0	0	0	0	0	0	0	0	0	0	0	0		
	RED(254)	1	1	1	1	1	1	1	0	0	0	0	0	0	0	0	0	0	0	0	0	0	0		
	RED(255)	1	1	1	1	1	1	1	1	0	0	0	0	0	0	0	0	0	0	0	0	0	0		
GREEN	GREEN(0)	0	0	0	0	0	0	0	0	0	0	0	0	0	0	0	0	0	0	0	0	0	0		
	GREEN(1)	0	0	0	0	0	0	0	0	0	0	0	0	0	0	1	0	0	0	0	0	0	0		
	GREEN(2)	0	0	0	0	0	0	0	0	0	0	0	0	0	1	0	0	0	0	0	0	0	0		
	GREEN(254)	0	0	0	0	0	0	0	0	1	1	1	1	1	1	0	0	0	0	0	0	0	0		
	GREEN(255)	0	0	0	0	0	0	0	0	1	1	1	1	1	1	1	0	0	0	0	0	0	0		
BLUE	BLUE(0)	0	0	0	0	0	0	0	0	0	0	0	0	0	0	0	0	0	0	0	0	0	0		
	BLUE(1)	0	0	0	0	0	0	0	0	0	0	0	0	0	0	0	0	0	0	0	0	0	1		
	BLUE(2)	0	0	0	0	0	0	0	0	0	0	0	0	0	0	0	0	0	0	0	0	0	1		
	BLUE(254)	0	0	0	0	0	0	0	0	0	0	0	0	0	0	0	1	1	1	1	1	1	1	0	
	BLUE(255)	0	0	0	0	0	0	0	0	0	0	0	0	0	0	0	1	1	1	1	1	1	1	1	

[Note]

- 1) Definition of gray scale:
Color (n): n indicates gray scale level; higher n means brighter level.
- 2) Data: 1-High, 0-Low.
- 3) This assignment is applied to both odd and even data.



3. RELIABILITY TEST

(1) Temperature and Humidity

TEST ITEMS	CONDITIONS	REMARK
High Temperature High Humidity Operation	60°C; 90%RH; 240hrs (No condensation)	
High Temperature Operation	70°C; 240hrs	
High Temperature Storage	80°C; 240hrs	
Low Temperature Operation	-20°C; 240hrs	
Low Temperature Storage	-30°C; 240hrs	
Thermal Shock	Between -30°C (1hr) ~ 80°C (1hr); 100 Cycles	
Image Sticking	25 °C ± 2 °C ; 4hrs	Note 1
MTBF	Life assurance 20,000hrs	

[Note]

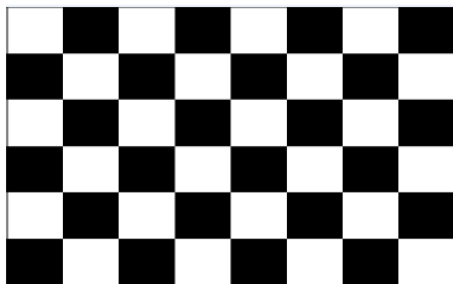
Definition of these measurement items is as follows:

1) Image Sticking :

Condition of image sticking test: 25°C

Operation with test pattern sustained for 4hrs, then change to gray pattern immediately.

After 5 min, the Mura must be disappeared completely.



(a) Test Pattern (Chess Board Pattern)



(b) Judgment Pattern (Mid-Gray Pattern)

(2) Shock & Vibration

ITEMS	CONDITIONS
SHOCK (NON-OPERATION)	Shock level: 1470 m/s ² (150 G) Waveform: half sinusoidal wave, 2ms Number of shocks: one shock each direction-
VIBRATION (NON-OPERATION)	Sweep: 1G, 10~300Hz Vibration : sinusoidal wave, 30min /axis

(3) ESD

POSITION	CONDITION (MDL turn off)
Connector	1. 200 pF , 0 Ω , ±250 V 2. contact mode for each pin
Module	1. 150 pF , 330 Ω , ±15K V (Air mode) , ±8K V (Contact mode) 2. Air mode, test 25 times for each test point 3. Contact mode, 25 times for each test point

(4) Judgment standard

The judgment of the above test should be made as follow:

Pass: Normal display image with no line defect.

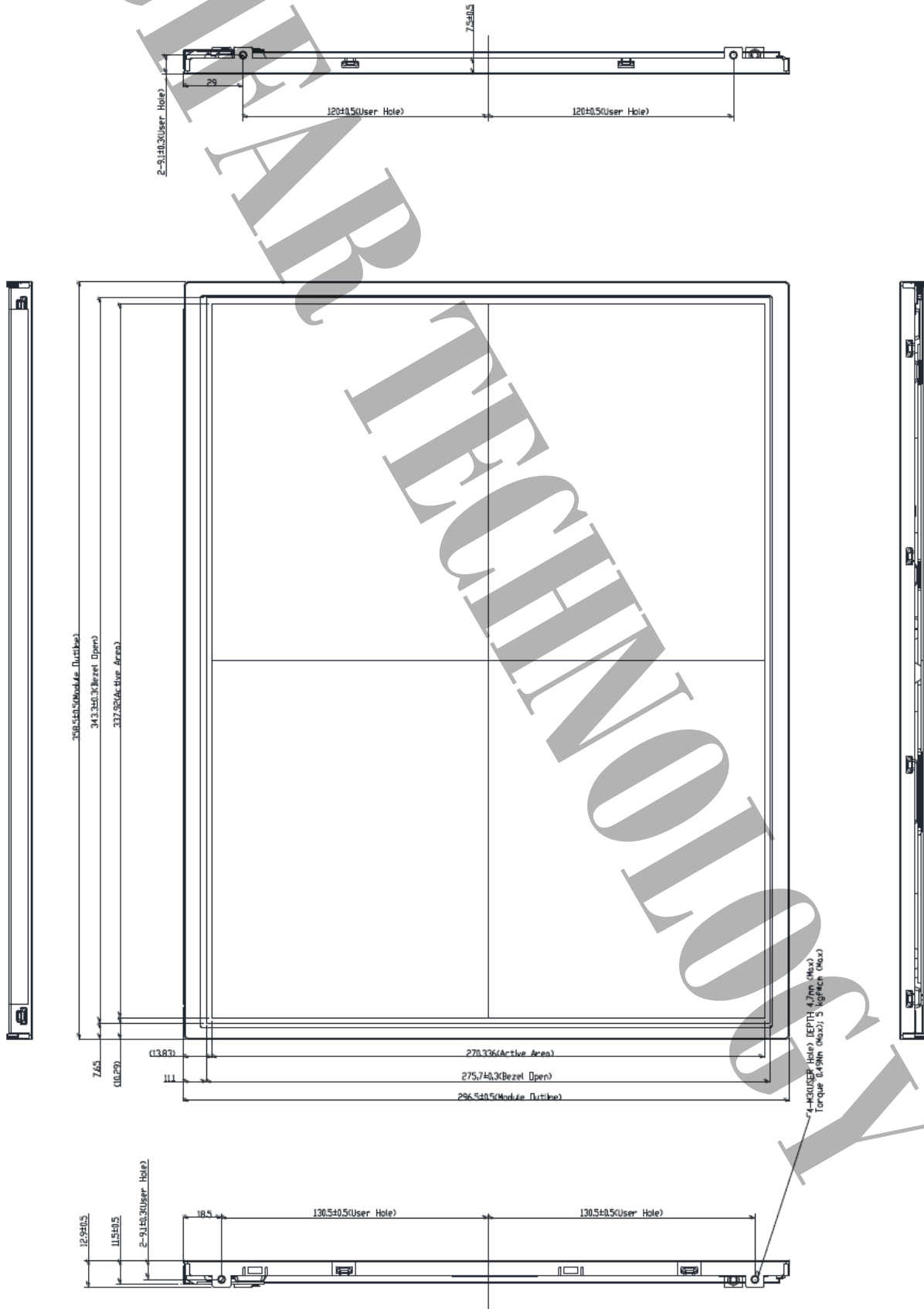
Fail: No display image or line defects



4. LCM Drawing

4.1 Front side (Tolerance is $\pm 0.5\text{mm}$ unless noted)

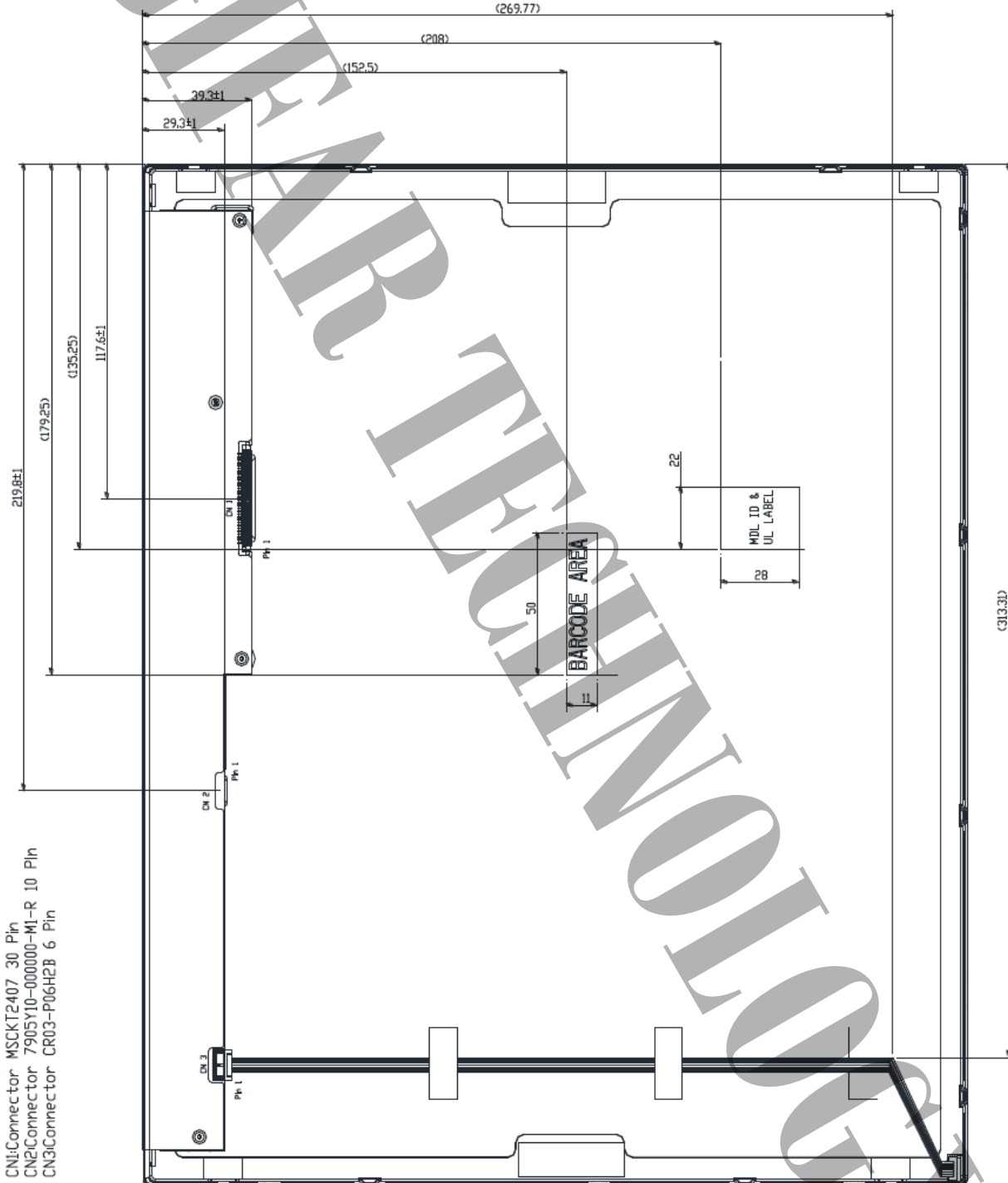
Unit: mm





4.2 Rear Side(Tolerance is $\pm 0.5\text{mm}$ unless noted)

[Unit : mm]



CN1:Connector MSCKT2407 30 Pin
CN2:Connector 7905Y10-000000-M1-R 10 Pin
CN3:Connector CR03-P06H2B 6 Pin

5. WARRANTY

5.1 The period is within 12 months since the date of shipping out under normal using and storage conditions.

5.2 The warranty will be avoided in case of defect induced by customer.