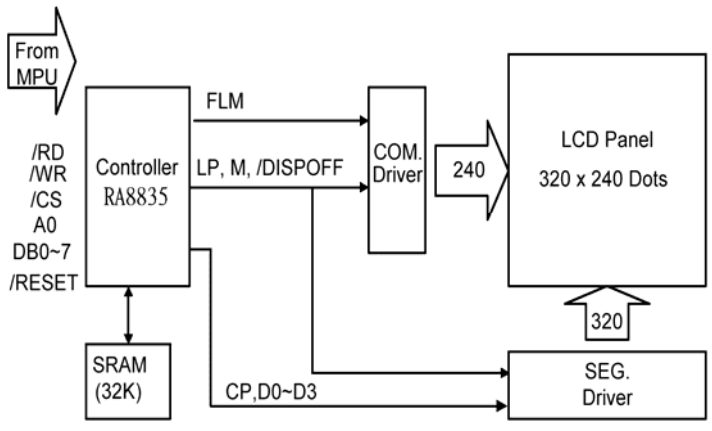
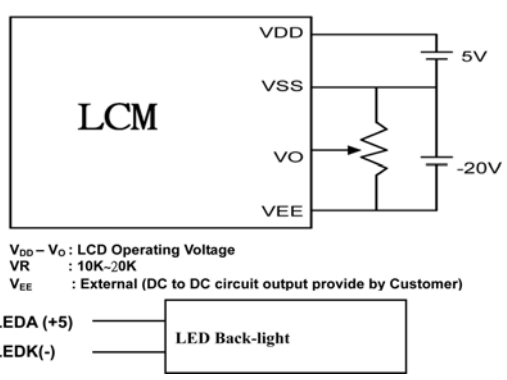


**Power Supply Circuit Diagram**



Interface		
Pin no	Symbol	Function
1	VSS	Power supply (GND)
2	VDD	Power supply(+)
3	V0	Contrast Adjustment
4	A0	Selection of command or data.
5	/WR	Data write
6	/RD	Data read
7	DB0	Date bus line
8	DB1	Date bus line
9	DB2	Date bus line
10	DB3	Date bus line
11	DB4	Date bus line
12	DB5	Date bus line
13	DB6	Date bus line
14	DB7	Date bus line
15	/CS1	Data shift
16	VEE	Negative Voltage
17	LEDA	LED B/L (+)
18	/RESET	External reset pin
19	DCLK	External Clock Input.(For AD7843)
20	/CS2	Data shift
21	DIN	Data In. (For AD7843)
22	BUSY	BUSY Output. (For AD7843)
23	DOUT	Data Out(For AD7843)
24	IRQ	Pen Interrupt.
25	IN3	ADC Input Channel 3
26	IN4	ADC Input Channel 4.

Feature			
Controller	RA8835AP4N	Module	160 x 109
Duty	1/240duty	Viewing Area	120 x 90
Bias	1/13 bias	Mounting hole	152 x 101
B/L	WHITE	Character Size	0.34 x 0.34

Absolute Maximum Rating					
I tem	Symbol	Condition	Min	Max	Units
Supply for logic voltage	Vdd-Vss	25°C	-0.3	7	V
LCD driving supply voltage	Vdd-Vss	25°C	-0.3	13	V
Input voltage	Vin	25°C	-0.3	Vdd+0.3	V

Electrical Characteristics						
Item	Symbol	Condition	Min.	Typ.	Max.	Units
Power supply voltage	Vdd-Vss	25°C	4.5	-	5.5	V
LCD operation voltage	Vop	25°C	-	22.7	-	V
LED Forward Voltage	VF	25°C	-	3.2	-	V
LED Forward Current	IF	25°C	-	160	-	mA